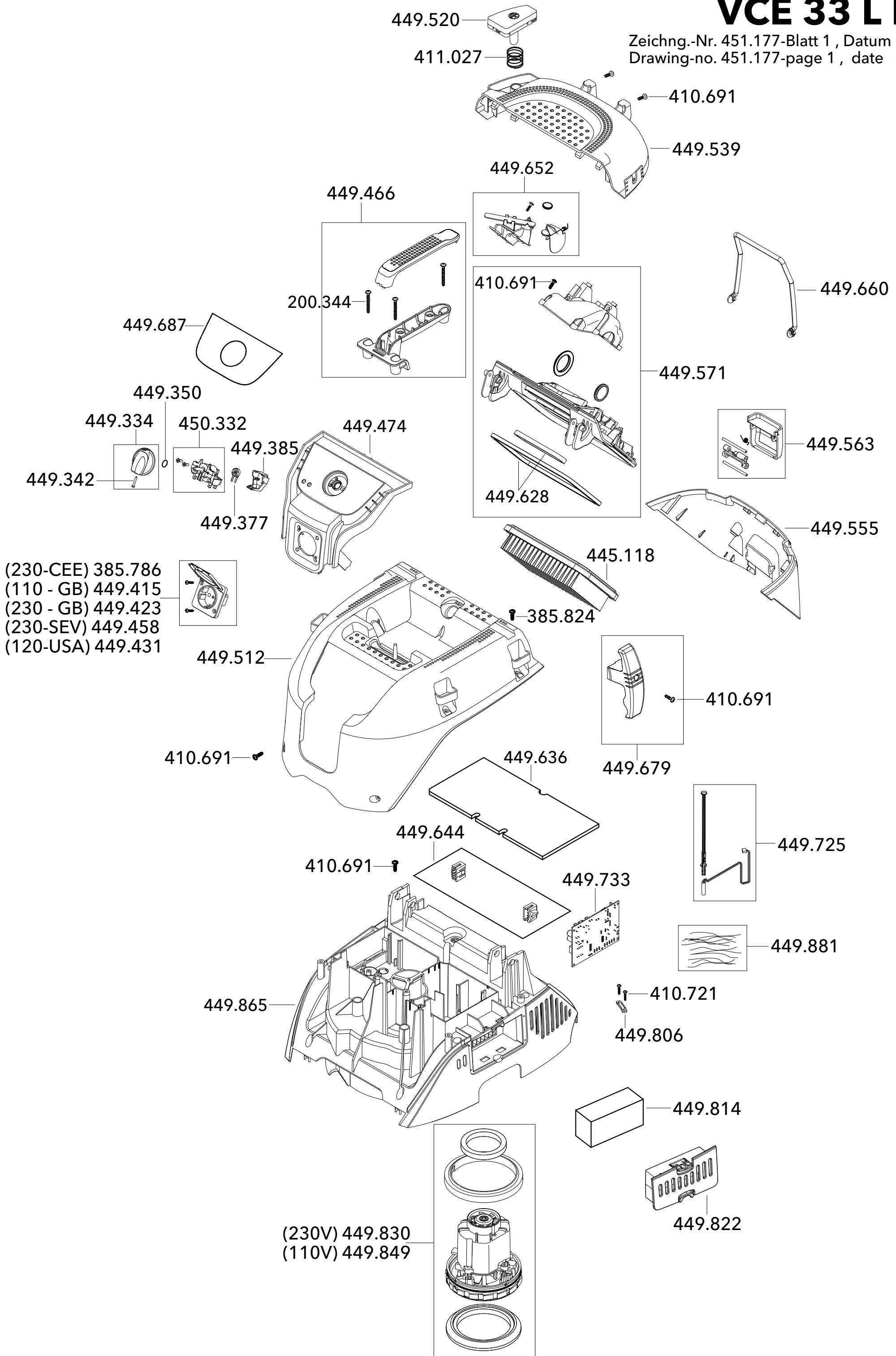


VCE 33 L MC

Zeichng.-Nr. 451.177-Blatt 1, Datum 07-2024
Drawing-no. 451.177-page 1, date 07-2024

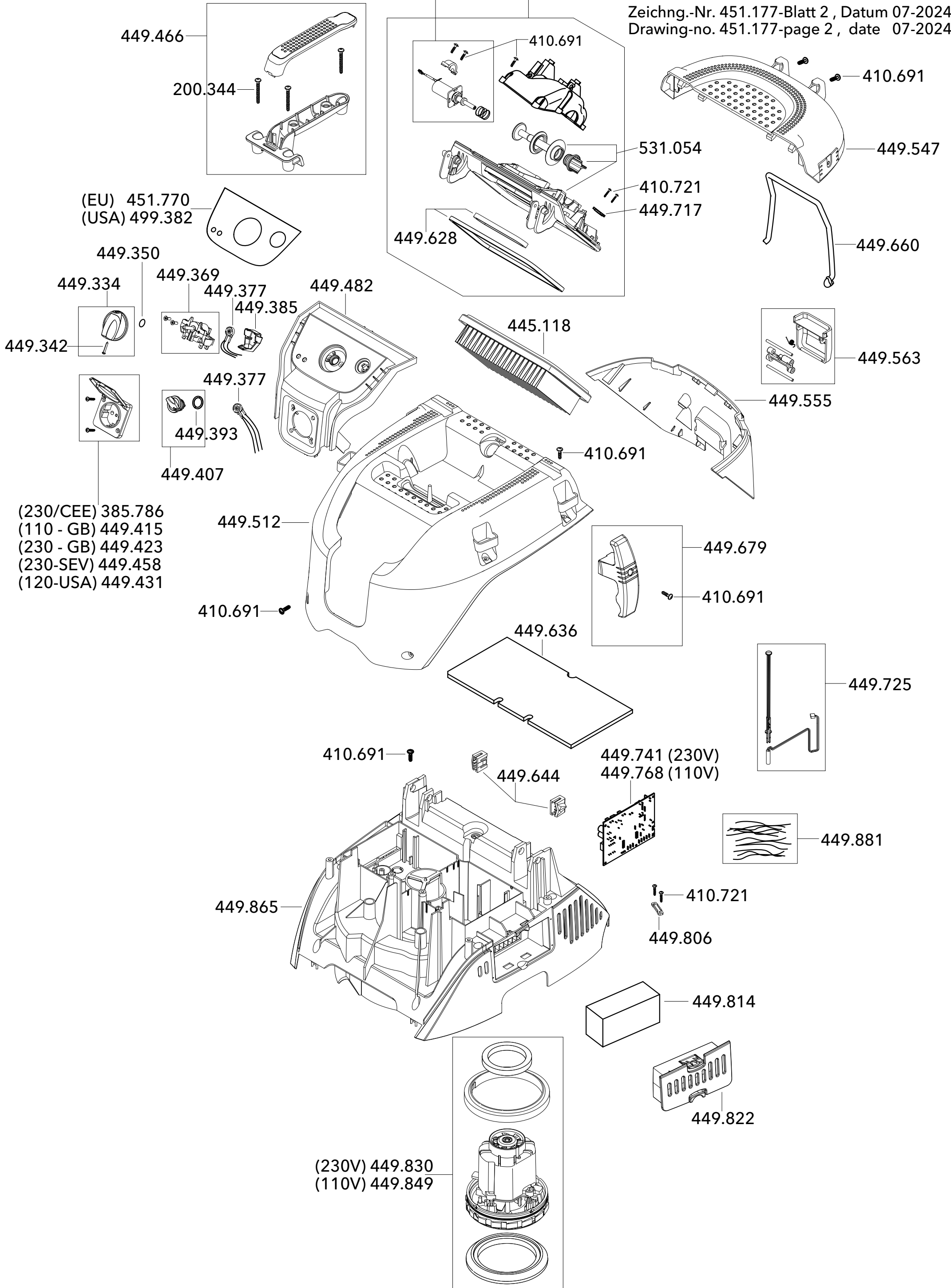


VCE 33 / 44 LAC S 44 LAC

Zeichng.-Nr. 451.177-Blatt 2, Datum 07-2024
Drawing-no. 451.177-page 2, date 07-2024

(230V-Ausf. 24V) 449.695
(110V-Ausf. 12V) 449.709

449.598 (230V)
449.601 (110V)

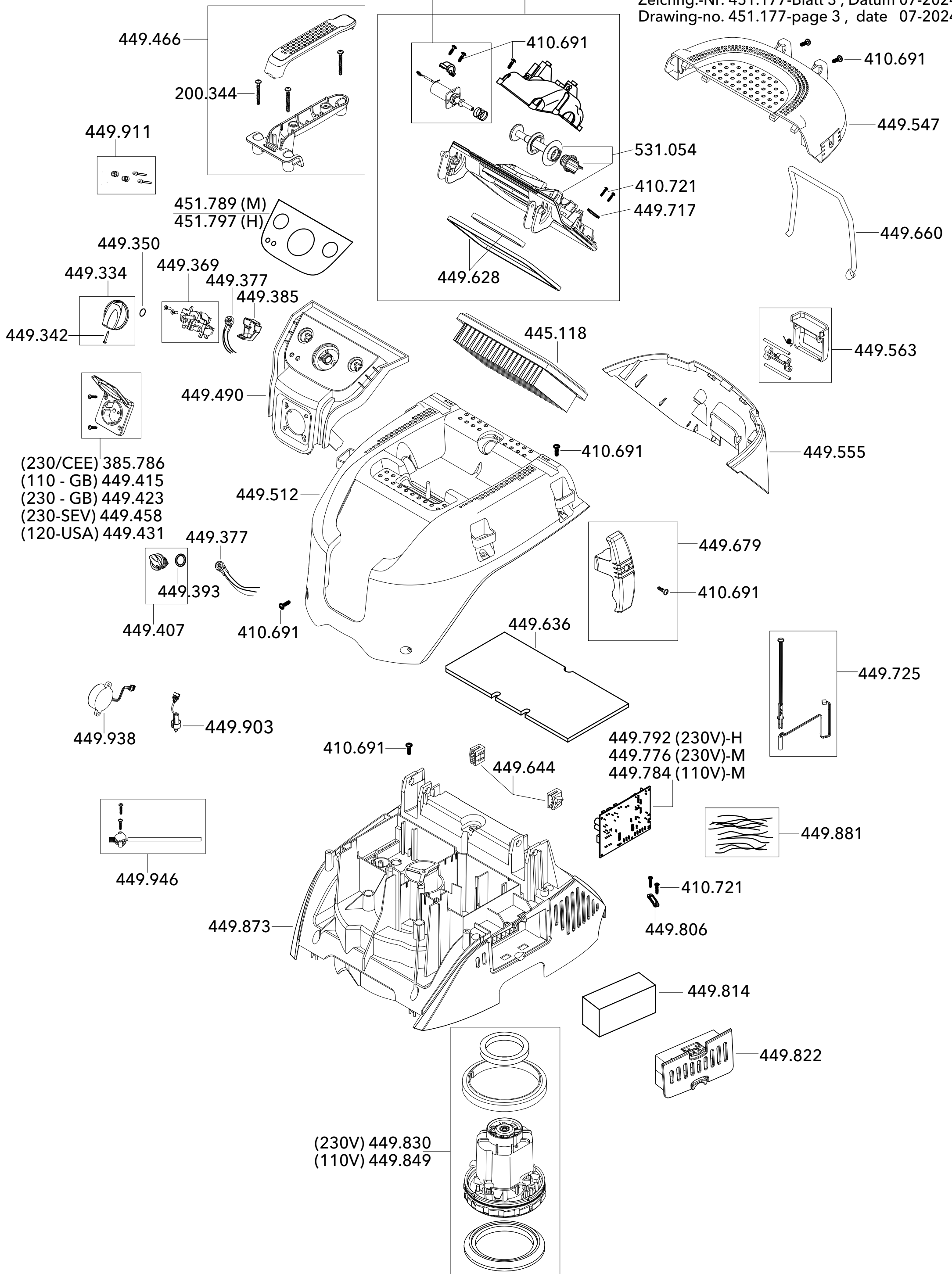


VCE 33 / 44 M AC VCE 44 H AC

(230V-Ausf. 24V) 449.695
(110V-Ausf. 12V) 449.709

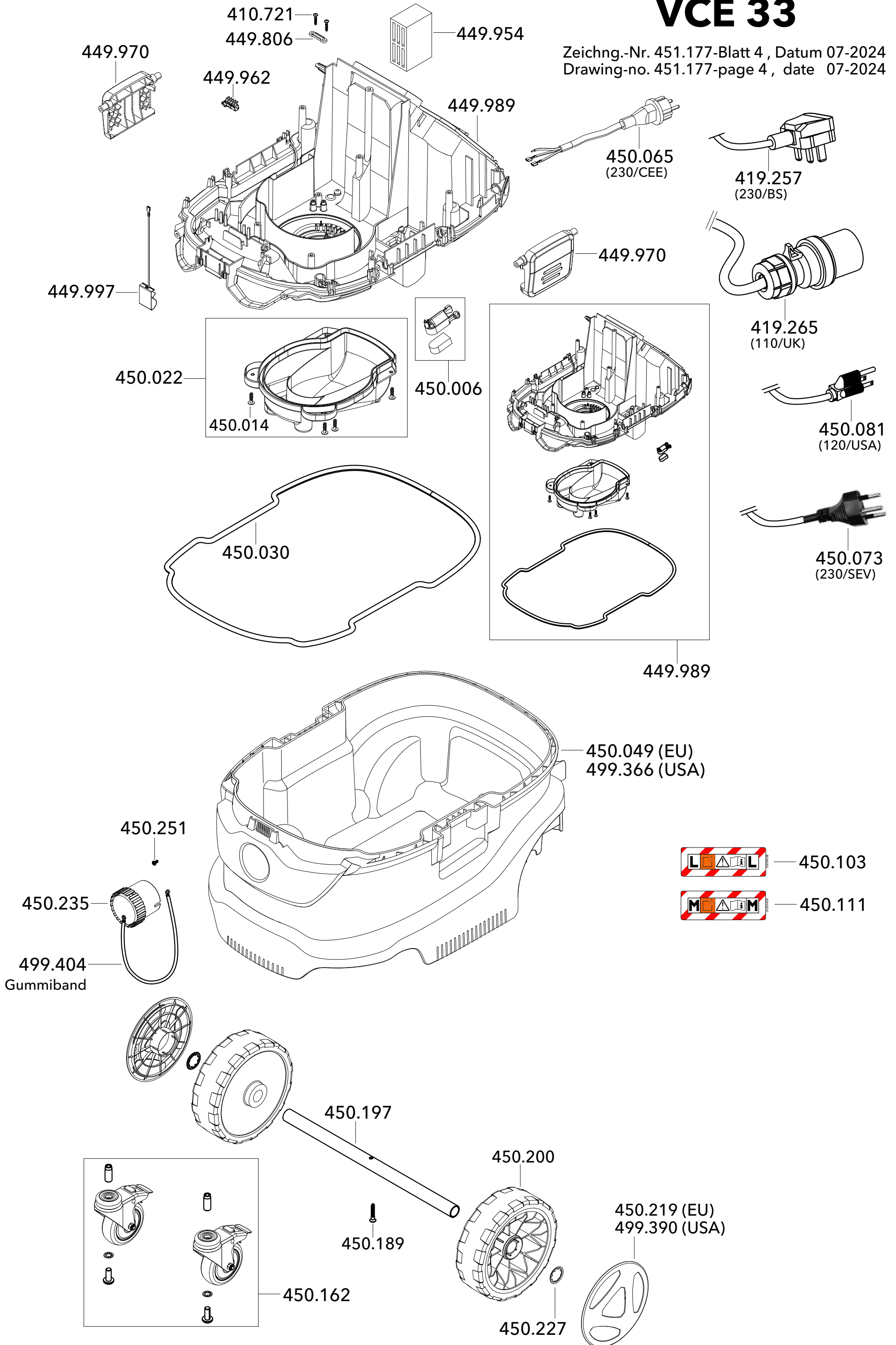
449.598 (230V)
449.601 (110V)

Zeichng.-Nr. 451.177-Blatt 3, Datum 07-2024
Drawing-no. 451.177-page 3, date 07-2024



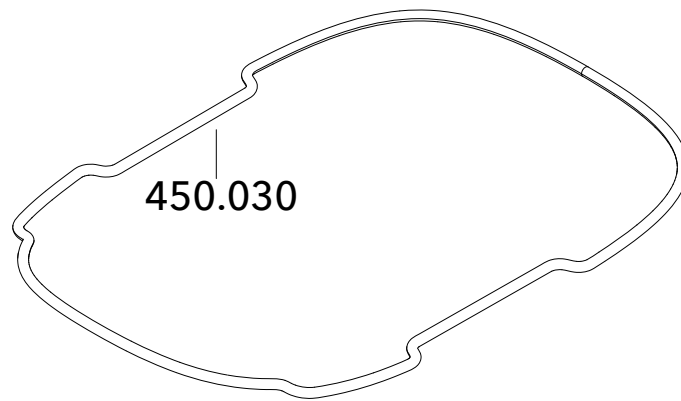
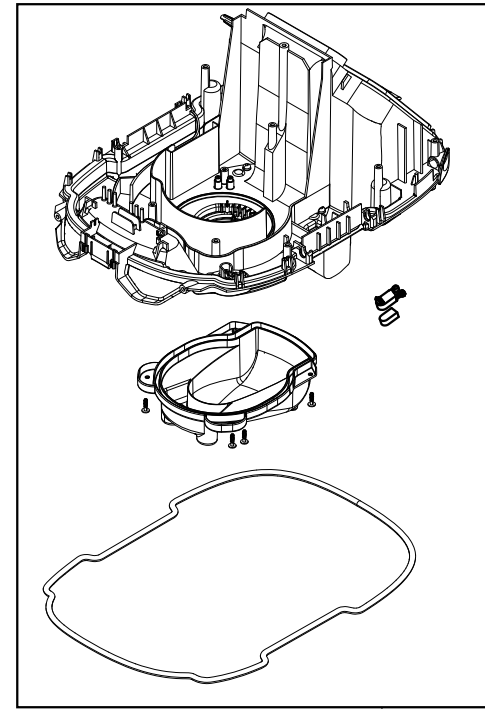
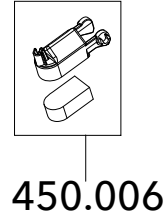
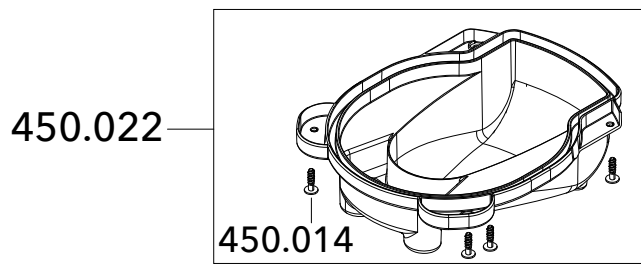
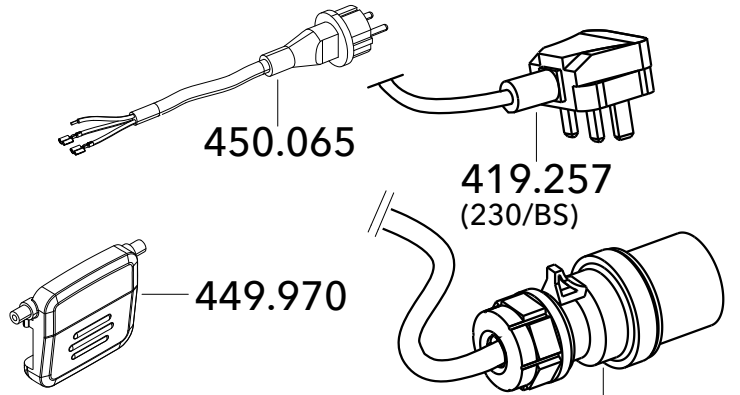
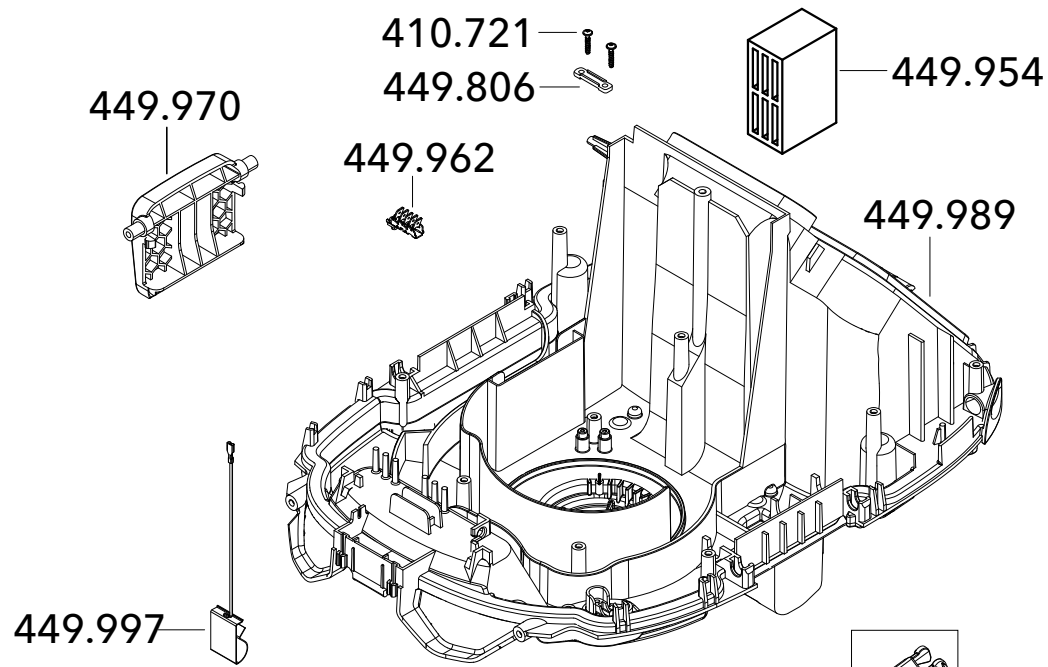
VCE 33

Zeichng.-Nr. 451.177-Blatt 4, Datum 07-2024
Drawing-no. 451.177-page 4, date 07-2024

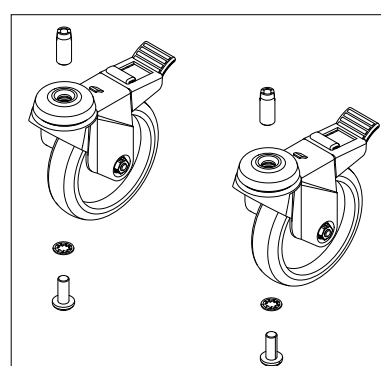
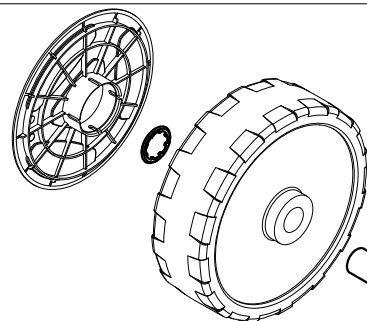
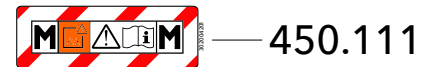
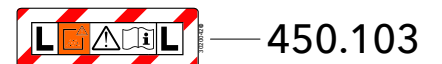
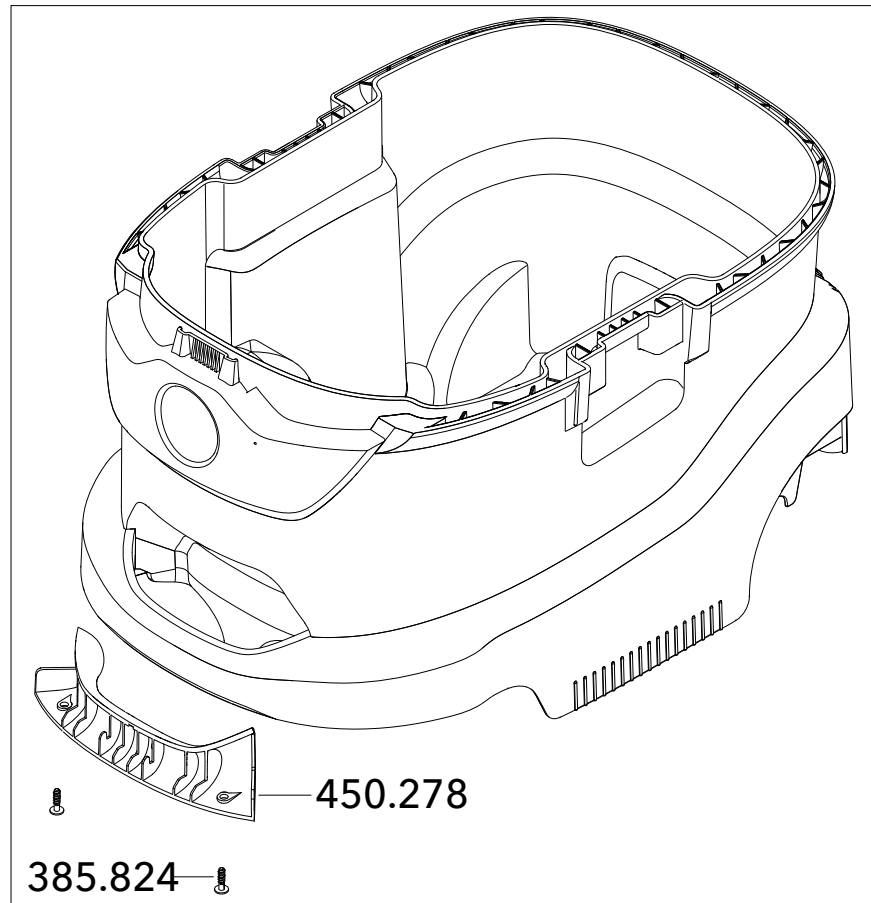


VCE 44 L / M S 44 L

Zeichng.-Nr. 451.177-Blatt 5 , Datum 07-2024
Drawing-no. 451.177-page 5 , date 07-2024



449.989



450.189

450.200

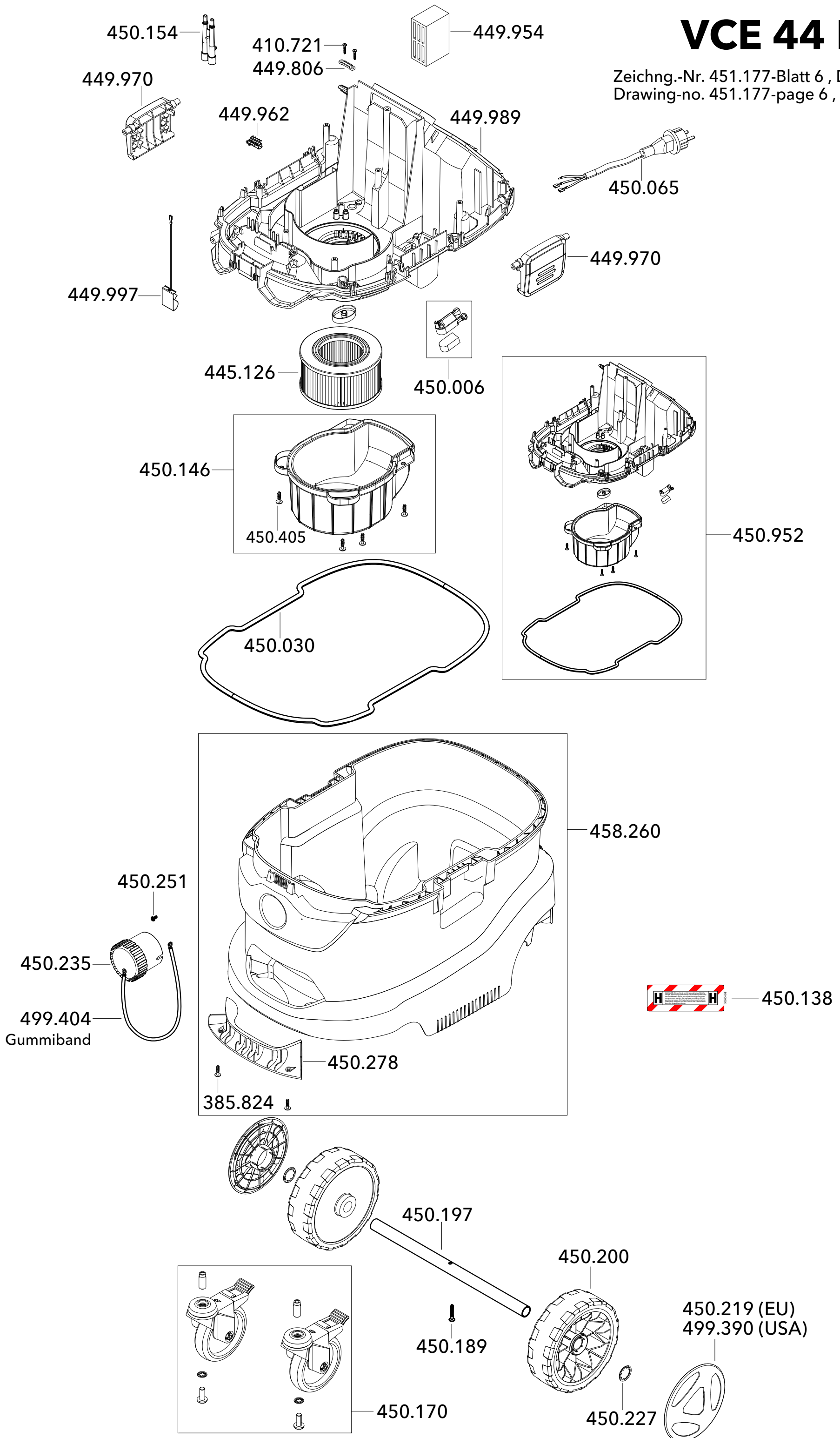
450.219 (EU)
499.390 (USA)

450.227



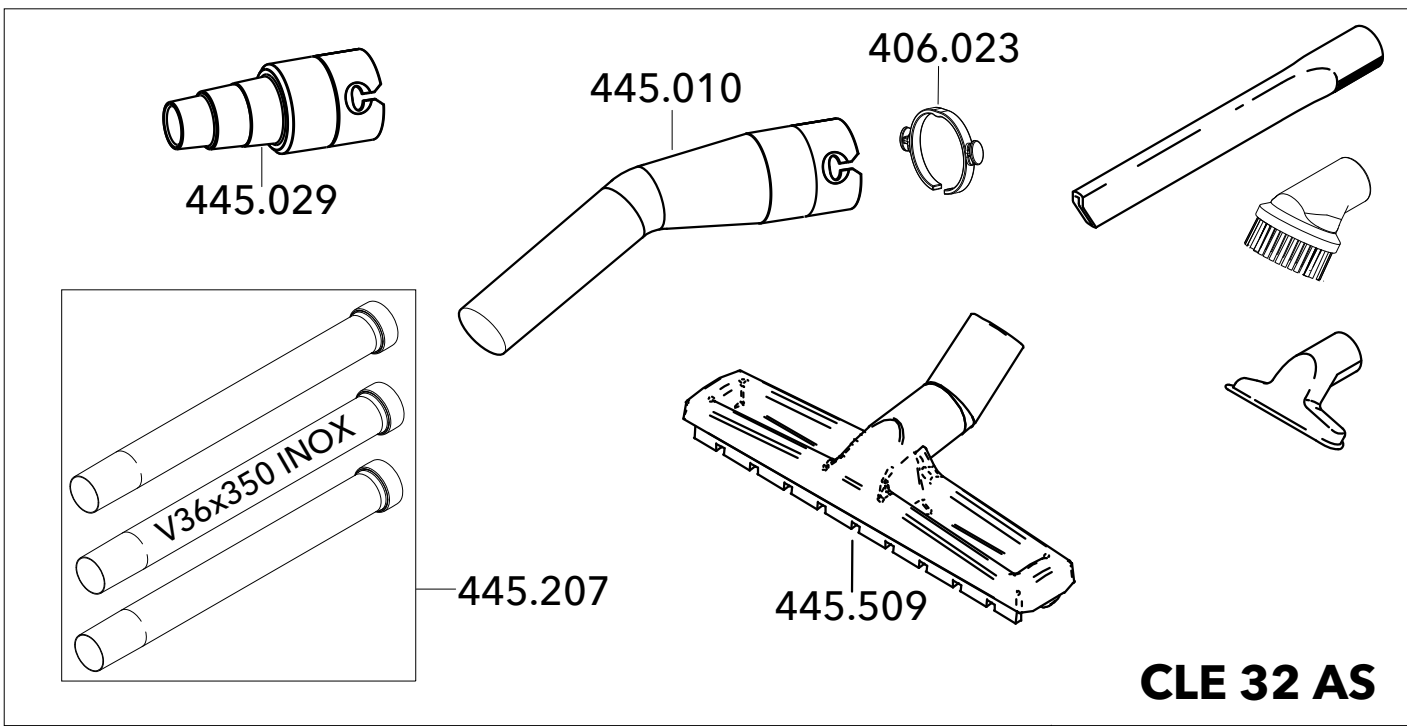
VCE 44 H AC

Zeichng.-Nr. 451.177-Blatt 6, Datum 07-2024
Drawing-no. 451.177-page 6, date 07-2024

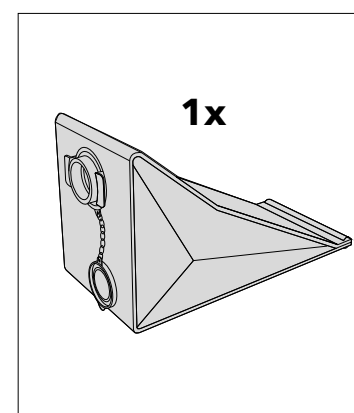
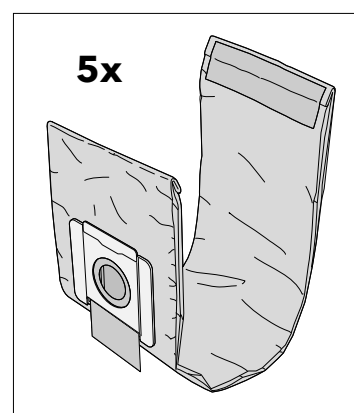
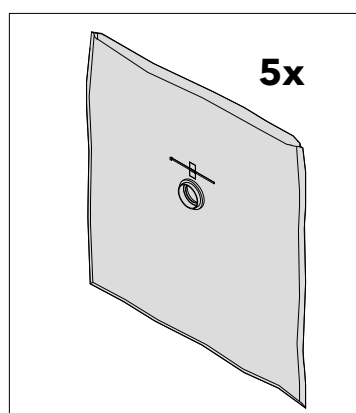
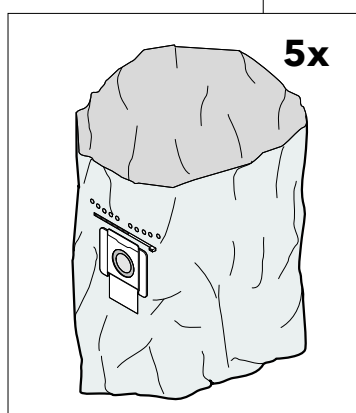
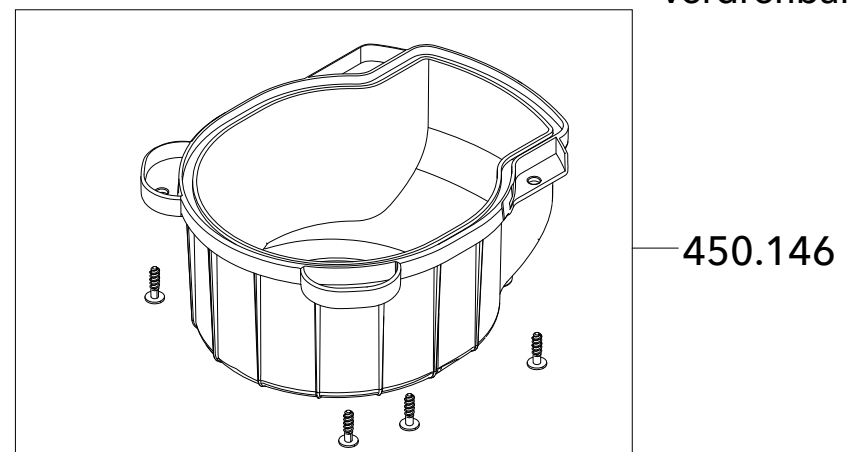
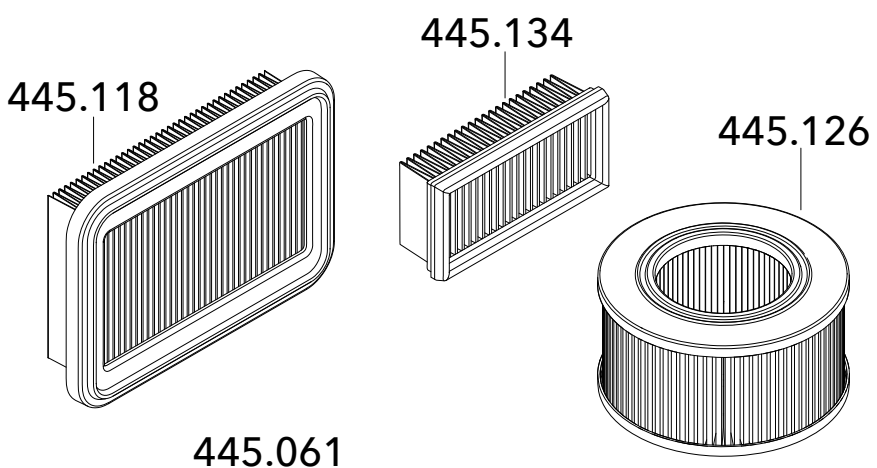
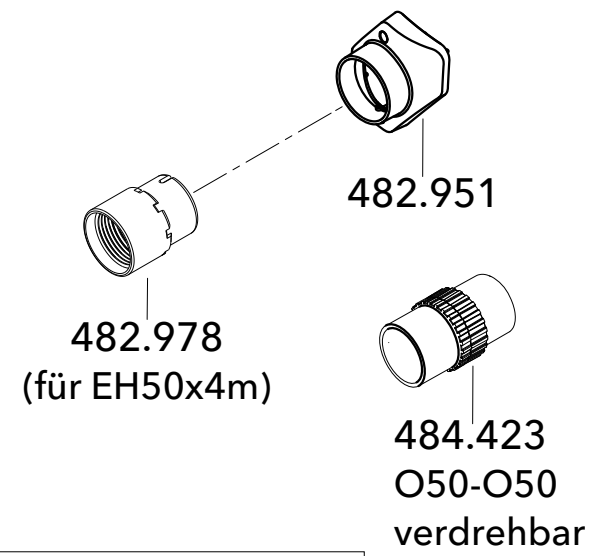


VCE 33 / 44 S 44

Zeichng.-Nr. 451.177-Blatt 7, Datum 07-2024
Drawing-no. 451.177-page 7, date 07-2024



CLE 32 AS



445.096

502.227

445.517

