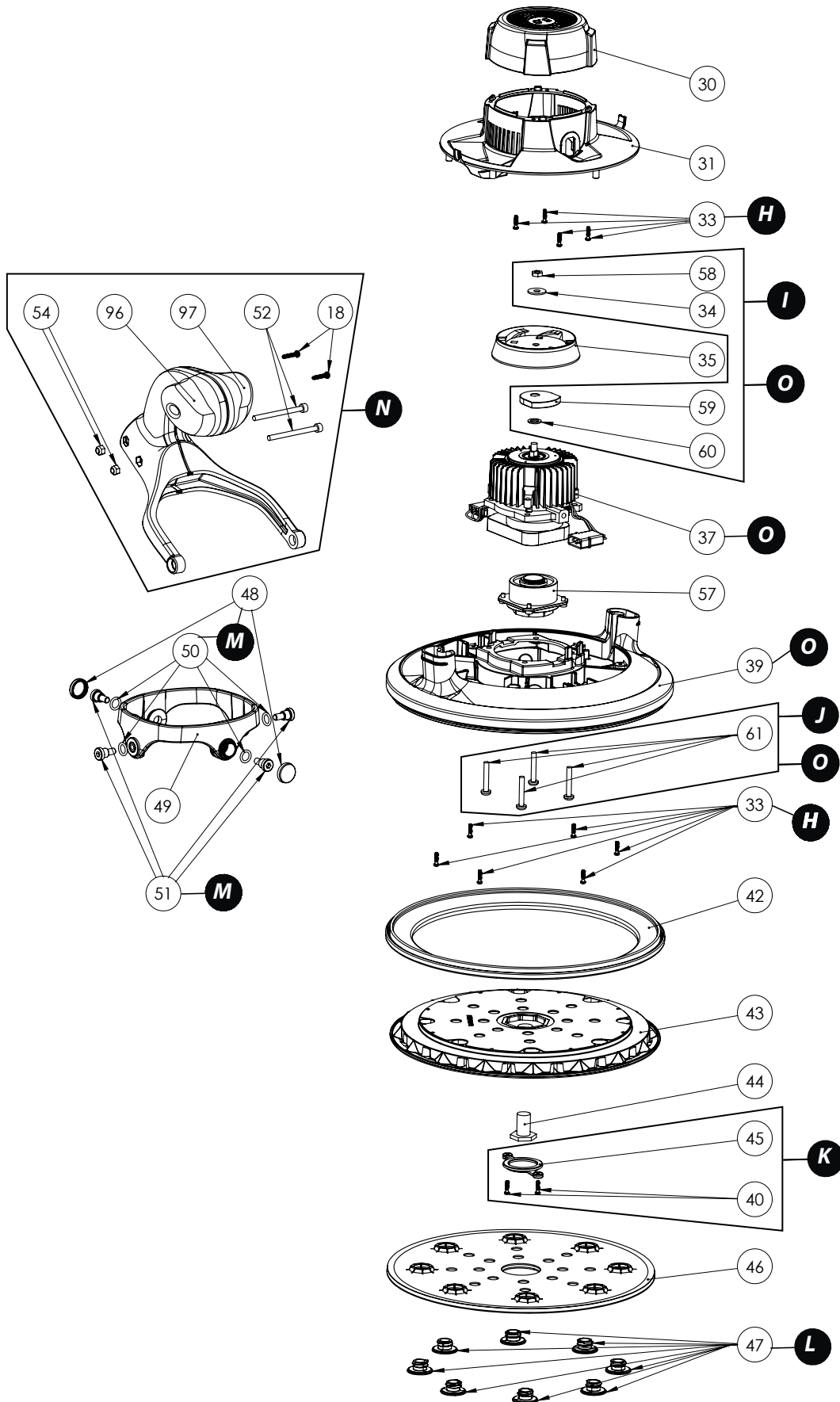


Exploded view of LEROS-S 950 CV 225 mm (220–240 V) – Grinding head

Updated 14.12.2023



LEROS-S 950CV 225 mm (220-240V) Spare Part kits

Electrical tool must be serviced by a qualified repair person and in accordance with national requirements.

Note! Repairs done by non-authorized repairer will breach the Mirka warranty.

| Mirka Code | Item | Description | Kit | Qty | Tightening Torque |
|-------------------|------|--|-----|-----|-------------------|
| MIW9520111 | | Type Label kit, LEROS & LEROS-S 220-240V EU | | | |
| | 92 | Type Label | A | 5 | |
| MIW9521011 | | Handle Screw kit | | | |
| | 10 | Screw STP 2,5 x 16 mm | | 7 | 0,8 Nm/0,6 ft-lb |
| | 12 | Screw 2,5 x 25 mm | B | 1 | 0,8 Nm/0,6 ft-lb |
| | 19 | Screw STP 3 x 16 mm | | 9 | 1,4 Nm/1,0 ft-lb |
| | 20 | Rubber Washer 10 x 21 x 1,5 mm | | 2 | |
| MIW9521111 | | PCB Spacer kit | | | |
| | 11 | PCB Spacer | C | 8 | |
| MIW9521211 | | PCB Screw kit | | | |
| | 12 | Screw 2,5 x 25 mm | D | 8 | 0,5 Nm/0,4 ft-lb |
| MIW9521511 | | Power Socket Assembly kit | | | |
| | 93 | Power Socket Assembly | | 1 | |
| | 26 | Grounding Screw | E | 1 | 0,8 Nm/0,6 ft-lb |
| | 27 | Star Washer M3 | | 1 | |
| MIW9521811 | | Screw kit Y-Branch | | | |
| | 18 | Screw 3 x 12 mm | F | 6 | 0,8 Nm/0,6 ft-lb |
| MIW9522511 | | Dust Hose kit | | | |
| | 25 | Dust Hose | G | 2 | |
| MIW9523311 | | Screw kit Fairing | | | |
| | 33 | Screw STS 2,5 x 10 mm | H | 10 | 0,8 Nm/0,6 ft-lb |
| MIW9525811 | | Dynamic Weight kit, Gen II | | | |
| | 34 | Fan Washer M5 | | 1 | |
| | 58 | Nut M5 | I | 1 | 3 Nm/2,2 ft-lb |
| | 59 | Dynamic Weight, Gen II | | 1 | |
| | 60 | Space Washer | | 1 | |
| MIW9526111 | | Screw kit Motor, Gen II | | | |
| | 61 | Screw M4 x 25, Gen II | J | 4 | 1,6 Nm/1,2 ft-lb |

LEROS-S 950CV 225 mm (220-240V) Spare Part kits

| Mirka Code | Item | Description | Kit | Qty | Tightening Torque |
|-------------------|------|-------------------------------------|-----|-----|-------------------|
| MIW9524011 | | Cover Cap kit | | | |
| | 40 | Screw STS 2,5 x 8 mm T+/-8 | K | 2 | 0,8 Nm/0,6 ft-lb |
| | 45 | Cover Cap | | 1 | |
| MIW9514711 | | Hole Screw kit | L | | |
| | 47 | Hole Screw | | 8 | 0,8 Nm/0,6 ft-lb |
| MIW9524811 | | Joint Screw kit | | | |
| | 48 | Screw Cap | M | 2 | |
| | 50 | O-Ring 7,65 x 1,78 mm | | 4 | |
| | 51 | Joint Screw M5 x 8 mm | | 4 | 4 Nm/3 ft-lb |
| MIW9525411 | | Joint Fork kit with Handle | | | |
| | 18 | Screw 3 x 12 mm | | 2 | 0,8 Nm/0,6 ft-lb |
| | 52 | Screw M4 x 50 mm | N | 2 | 1,4 Nm/1,0 ft-lb |
| | 54 | Lock Nut M4 | | 2 | |
| | 96 | Joint Fork with Handle Right | | 1 | |
| | 97 | Joint Fork with Handle Left | | 1 | |
| MIW9526011 | | Upgrade kit, Gen II 230V * | | | |
| | 7 | Pipe Sealing + 2 Foam Dampers | | 1 | |
| | 34 | Fan Washer M5 | | 1 | |
| | 37 | Motor Gen II 230V + Spindle Bearing | | 1 | |
| | 39 | Fairing | O | 1 | |
| | 58 | Nut M5 | | 1 | 3 Nm/2,2 ft-lb |
| | 59 | Dynamic Weight, Gen II | | 1 | |
| | 60 | Space Washer | | 1 | |
| | 61 | Screw M4 x 25, Gen II | | 4 | 1,6 Nm/1,2 ft-lb |

Separate spare parts on next page.

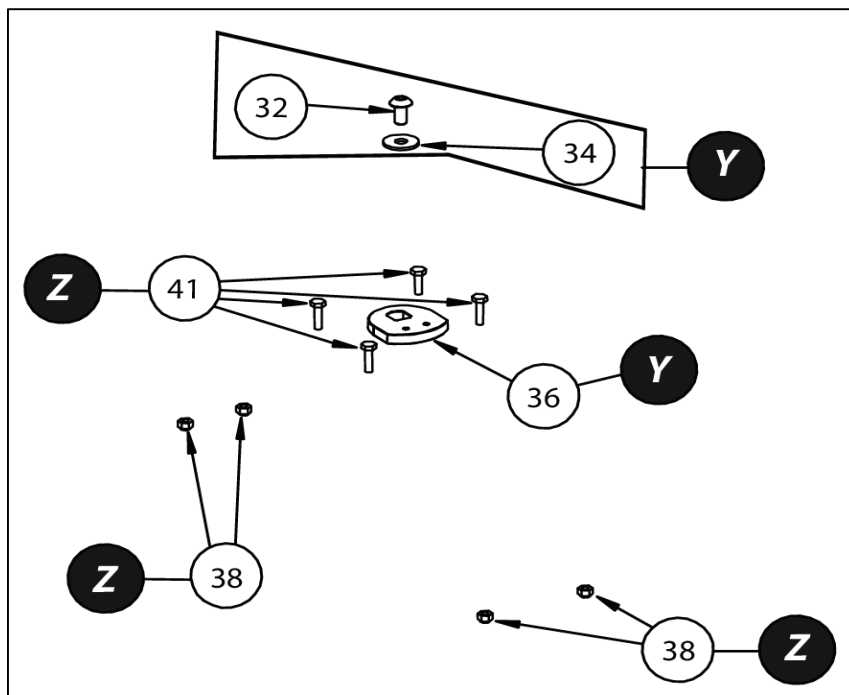
LEROS-S 950CV 225 mm (220-240V) Spare Parts

| Mirka Code | Item | Description | Kit | Qty | Tightening Torque |
|--------------|------|---|-----|-----|-------------------|
| MIW9510211 * | 2 | Speed Controller * | | 1 | |
| MIW9510411 | 4 | Button Plate | | 1 | |
| MIW9510511 | 5 | Dust Guide | | 1 | |
| MIW9510611 | 6 | Gap Filler 3 mm | | 1 | |
| MIW9510711 | 7 | Pipe Sealing + 2 Foam Dampers | O | 1 | |
| MIW9510811 | 8 | Y-Branch Top | | 1 | |
| MIW9510911 | 9 | Y-Branch Base | | 1 | |
| | 10 | Screw STP 2,5 x 16 mm | B | 7 | 0,8 Nm/0,6 ft-lb |
| | 11 | PCB Spacer | C | 8 | |
| | 12 | Screw 2,5 x 25 mm | B,D | 9 | |
| MIW9511311 | 13 | Handle Left | | 1 | |
| MIW9511411 | 14 | Nut M12 | | 1 | |
| MIW9511611 | 16 | Hose Connector | | 1 | |
| MIW9511711 | 17 | End Cap | | 1 | |
| | 18 | Screw 3 x 12 mm | F,N | 8 | 0,8 Nm/0,6 ft-lb |
| | 19 | Screw STP 3 x 16 mm | B | 9 | 1,4 Nm/1,0 ft-lb |
| | 20 | Rubber Washer 10 x 21 x 1,5 mm | B | 2 | |
| MIW9512111 | 21 | Handle Right | | 1 | |
| MIE9016011 | 22 | Rewireable Mains Cable 4,3m CE 230V EU | | 1 | |
| MIE9017011 | 22 | Rewireable Mains Cable 4,3m CE 230V UK | | 1 | |
| MIE9017111 | 22 | Rewireable Mains Cable 4,3m CE 230V CH | | 1 | |
| MIE9017511 | 22 | Rewireable Mains Cable 4,3m CE 230V ANZ | | 1 | |
| MIE9017611 | 22 | Rewireable Mains Cable 4,3m CE 230V ARG | | 1 | |
| MIE9017411 | 22 | Rewireable Mains Cable 4,3m 230V CN | | 1 | |
| | 25 | Dust Hose | G | 2 | |
| | 26 | Grounding Screw | E | 1 | 0,8 Nm/0,6 ft-lb |
| | 27 | Star Washer M3 | E | 1 | |
| MIW9513011 | 30 | Fan Cover | | 1 | |
| MIW9513111 | 31 | Fairing Cover | | 1 | |
| | 33 | Screw STS 2,5 x 10 mm | H | 10 | 0,8 Nm/0,6 ft-lb |
| | 34 | Fan Washer M5 | I,O | 1 | |
| MIW9513511 | 35 | Fan | | 1 | |
| MIW9513711 * | 37 | Motor Gen II 230V + Spindle Bearing * | O | 1 | |
| MIW9513911 | 39 | Fairing | O | 1 | |
| | 40 | Screw STS 2,5 x 8 mm T+/-8 | K | 2 | 0,8 Nm/0,6 ft-lb |
| MIW9514211 | 42 | Brake Seal | | 1 | |
| MIW9514312 | 43 | Backing Pad 225mm (Grip & Screw Mounting of Interface) | | 1 | |
| MIW9514411 | 44 | Pad Screw | | 1 | 10 Nm/7,4 ft-lb |
| | 45 | Cover Cap | K | 1 | |
| MIW9514611 | 46 | Interface | | 1 | |
| | 47 | Hole Screw | L | 8 | 0,8 Nm/0,6 ft-lb |
| | 48 | Screw Cap | M | 2 | |
| MIW9514911 | 49 | Joint Ring | | 1 | |
| | 50 | O-Ring 7,65 x 1,78 mm | M | 4 | |
| | 51 | Joint Screw M5 x 8 mm | M | 4 | 4 Nm/3 ft-lb |
| | 52 | Screw M4 x 50 mm | N | 2 | 1,4 Nm/1,0 ft-lb |
| | 54 | Lock Nut | N | 2 | |
| MIW9525711 | 57 | Spindle + Bearing assembly | | 1 | |
| | 58 | Nut M5 | I,O | 1 | 3 Nm/2,2 ft-lb |
| | 59 | Dynamic Weight, Gen II | I,O | 1 | |
| | 60 | Space Washer | I,O | 1 | |
| | 61 | Screw M4 x 25, Gen II | J,O | 4 | 1,6 Nm/1,2 ft-lb |
| | 92 | Type Label | A | 1 | |
| | 93 | Power Socket assembly | E | 1 | |
| MIW9519411 | 94 | Tube (Short) | | 1 | |
| MIW9519511 | 95 | Power and Signal Cable (Short) | | 1 | |
| | 96 | Joint Fork with Handle Right | N | 1 | |
| | 97 | Joint Fork with Handle Left | N | 1 | |

* Spare parts only available to authorized repairers.

Specific Spare Parts for LEROS & LEROS-S Motor Gen I, 230V

S/N to: 23453xxxxx001



Spare Part kits

| Mirka Code | Item | Description | Kit | Qty | Tightening torque |
|-------------------|------|----------------------------------|-----|-----|-------------------|
| MIW9523211 | | Dynamic Weight kit, Gen I | | | |
| | 32 | Screw M5 x 10 mm | Y | 1 | 3 Nm/2,2 ft-lb |
| | 34 | Fan Washer M5 | | 1 | |
| | 36 | Dynamic Weight, Gen I | | 1 | |
| MIW9523811 | | Screw kit Motor, Gen I | | | |
| | 38 | Lock Nut M3 | Z | 4 | 1,4 Nm/1,0 ft-lb |
| | 41 | Screw M3 x 12 mm | | 4 | |

Spare Parts

| Mirka Code | Item | Description | Kit | Qty | Tightening torque |
|------------|------|-----------------------|-----|-----|-------------------|
| | 32 | Screw M5 x 10 mm | Y | 1 | 3 Nm/2,2 ft-lb |
| | 34 | Fan Washer M5 | Y | 1 | |
| | 36 | Dynamic Weight, Gen I | Y | 1 | |
| | 38 | Lock Nut M3 | Z | 4 | 1,4 Nm/1,0 ft-lb |
| | 41 | Screw M3 x 12 mm | Z | 4 | |