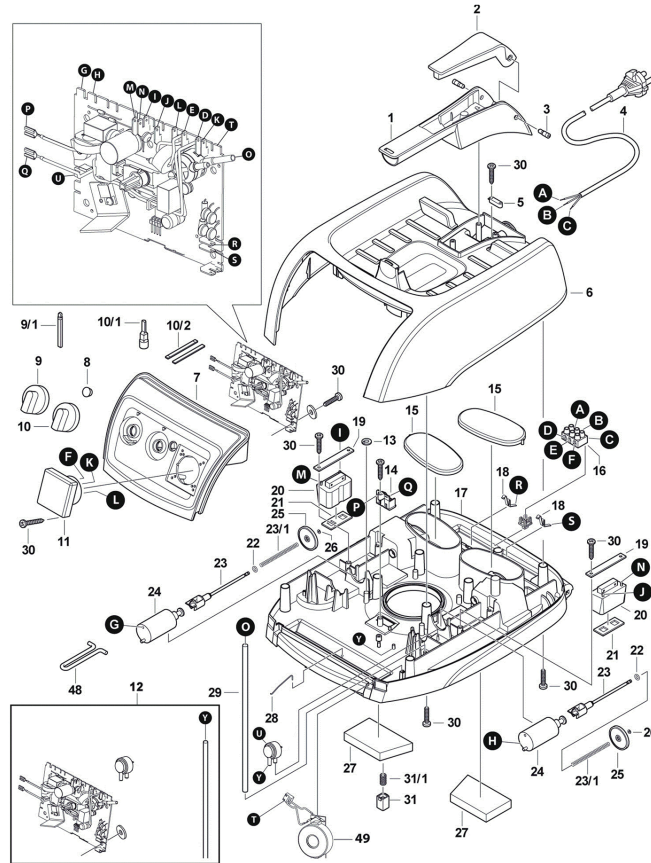
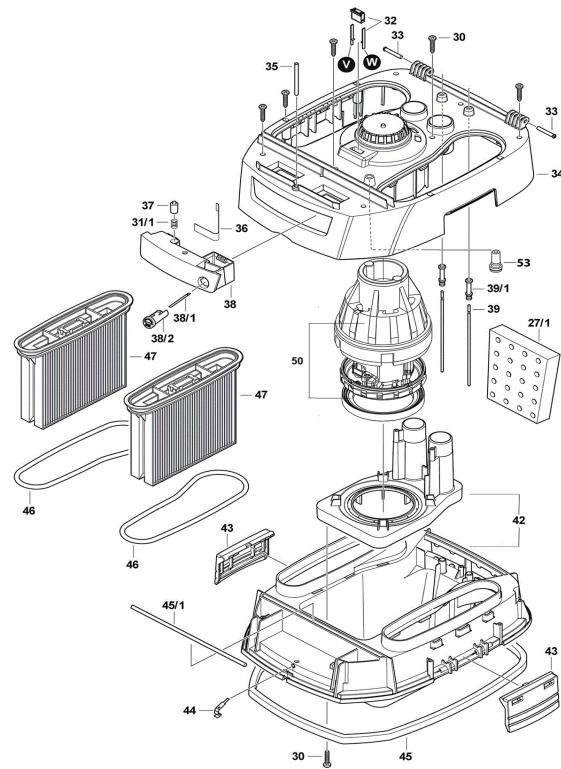


Ref. No. 91C401

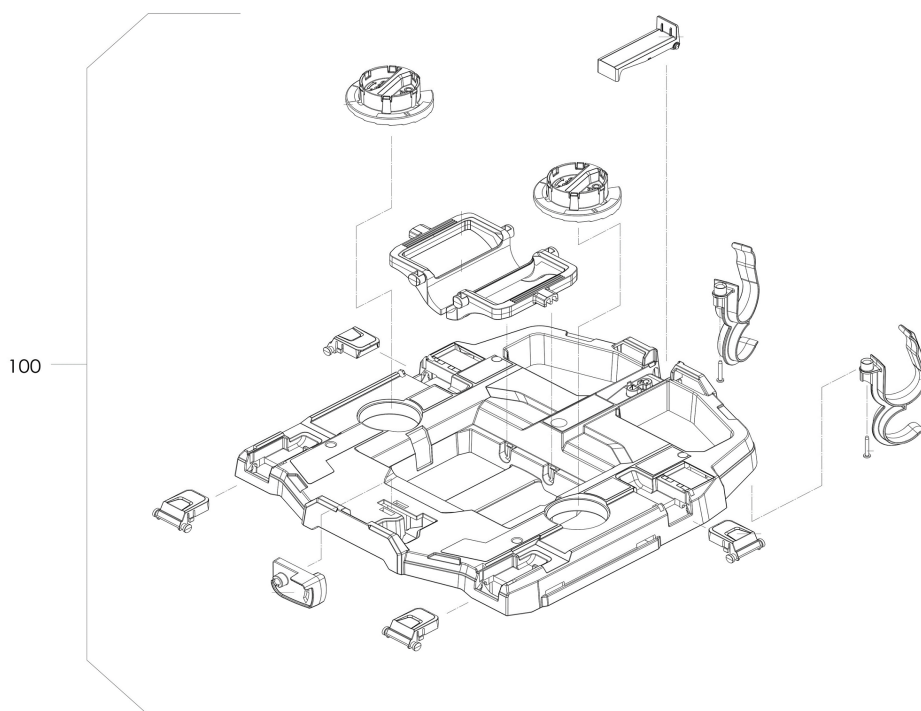
**Dust extractor S 35 M**



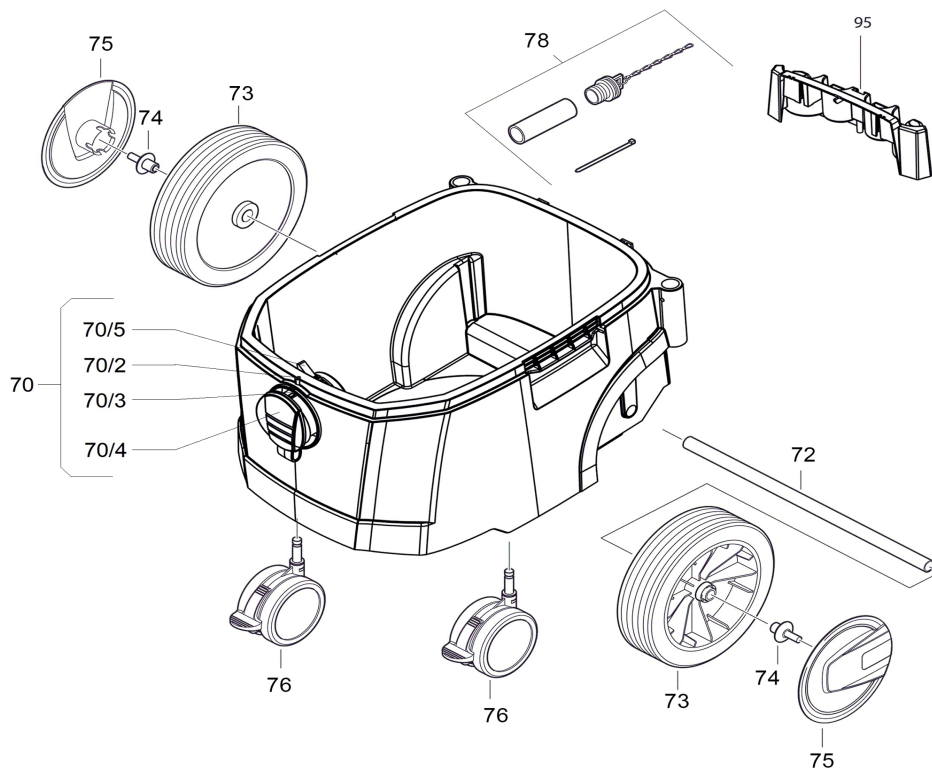
91C401-1a



91C401-2a1



91C201-3a1



91C401-4a

pos. no.	spare part number	GTIN	name of spare part	count	price key
1	176027	4032689190587	Handle red	1	11
2	176028	4032689190570	Handle cover black	1	4
3	176029	4032689190563	Achsbolzen	2	2
4	176030	4032689190662	Mains cable H07RN-F 3 x 1,5 8m	1	22
5	029584	4032689048031	Cable clamp Cable clamp	1	2
6	176033	4032689190556	Cover light grey	1	22
7	176034	4032689190181	Front plate with printing	1	18
8	078217	4032689140797	Plug-in lens Plug-in lens	1	2
9	176035	4032689190198	Switching cross-bar VSA	1	9
9/1	176036	4032689190204	control spindle long	1	2
10	176037	4032689190211	Switching cross-bar	1	5
10/1	176038	4032689190228	control spindle short	1	2
10/2	078218	4032689140803	Switch spring Switch spring	2	4
11	078219	4032689140810	Machine socket Machine socket	1	17
12	176042	4032689190235	Electronics board +Trigger switch + Insulating disk + Pressure drop hose	1	37

pos. no.	spare part number	GTIN	name of spare part	count	price key
13	078205	4032689140698	Washer	4	2
14	078198	4032689140629	Motor power outlet with contact springs Motor power outlet with contact springs	1	7
15	176043	4032689190242	Cover	2	2
16	087005	4032689051161	Clamping strip	1	7
17	176044	4032689190167	Support plate red	1	20
18	078204	4032689140681	Contact ring Contact ring	2	7
19	078203	4032689140674	Fixing plate Fixing plate	2	2
20	176045	4032689190617	Vibrator	2	26
21	078201	4032689140650	Gasket	2	4
22	176046	4032689190600	Sealing ring	2	9
23	176047	4032689190594	Clutch	2	4
23/1	176039	4032689191102	Pressure spring	2	2
24	176048	4032689190174	lifting magnet	2	20
25	176049	4032689190549	valve disc	2	2
26	061024	4032689174419	Locking washer 2.3	2	1
27	176050	4032689190372	Motor protection filter	2	2
27/1	176040	4032689191119	Sound insulation	1	7
28	078206	4032689140704	Contact wire Contact wire	1	2
29	176051	4032689190365	Pressure drop hose	1	2
30	078195	4032689140421	Self-tapping oval-head screw 3.5 x 25 F-Z	35	2
31	078199	4032689140636	Pressure bit Pressure bit	4	2
31/1	078200	4032689140643	Pressure spring	5	2
32	078191	4032689140568	Motor plug, cpl. Motor plug, cpl.	1	12
33	176052	4032689190358	Bearing bolt	2	4
34	176053	4032689190341	Motor casing light grey	1	28
35	176054	4032689190624	Tubular rivet	1	2
36	078184	4032689140490	Plate spring	1	12
37	078227	4032689140896	Locking button Locking button	1	4
38	176055	4032689190334	Locking bar with printing	1	18
38/1	078229	4032689140919	Ringlet spring Ringlet spring	1	10
38/2	176041	4032689191126	Locking piece	1	2

pos. no.	spare part number	GTIN	name of spare part	count	price key
39	078287	4032689161976	Electrode	2	7
42	176056	4032689190327	Lower part	1	24
43	176057	4032689190310	Latch red	2	5
44	176058	4032689190303	deduction bypass	1	2
45	078189	4032689140544	Square seal Square seal	1	10
45/1	176059	4032689190297	Cellular rubber round	1	5
46	176060	4032689190280	Gasket	2	5
47	093720	4032689189864	Folded filter cassette 1 pair, polyester nano-coated (6000 cm <sup>2</sup> )	1	99
48	176061	4032689190273	Support	1	2
49	176062	4032689190266	Signal horn	1	17
50	176089	4032689222585	Motor blower 1400W, 220-240V Set consisting of motor blower, gasket + adapter	1	47
53	176064	4032689190259	pressure seal	1	4
70	209892	4032689238579	Container set S35 35 liters, with wheels etc.	1	47
70/2	176070	4032689190471	deduction pin	1	2
70/3	176076	4032689191133	Seal for suction piece	1	2
70/4	176092	4032689211299	Suction nozzle with cover	1	12
70/5	176093	4032689211305	rotary valve	1	5
72	176066	4032689190518	Arbor	1	5
73	176067	4032689190501	Wheel 200	2	16
74	078236	4032689141008	Plug	2	2
75	176068	4032689190495	Panel red	2	4
76	176069	4032689190488	Guide roller	2	10
78	176071	4032689190464	draining set	1	17
95	176074	4032689190433	Box for accessories red red	1	10
100	208055	4032689221359	MAX-holder	1	33