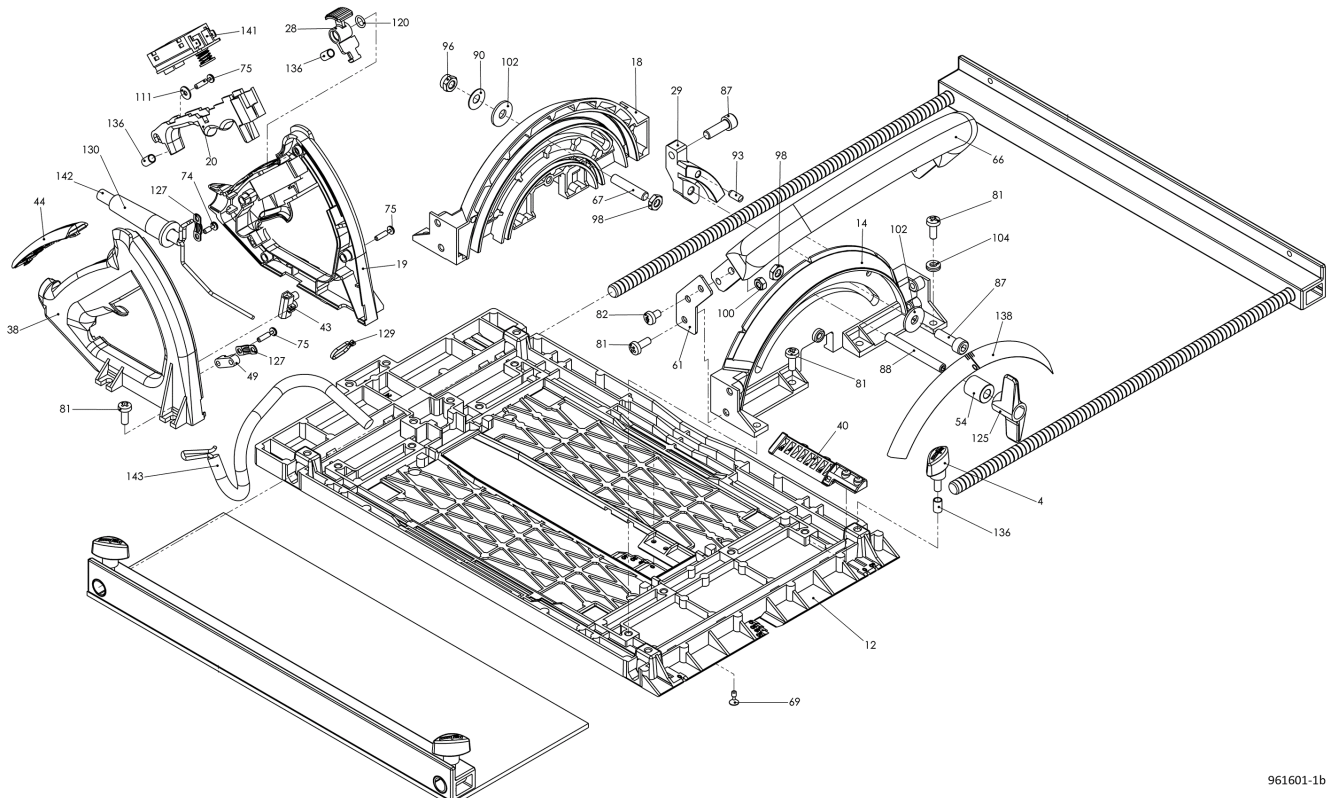
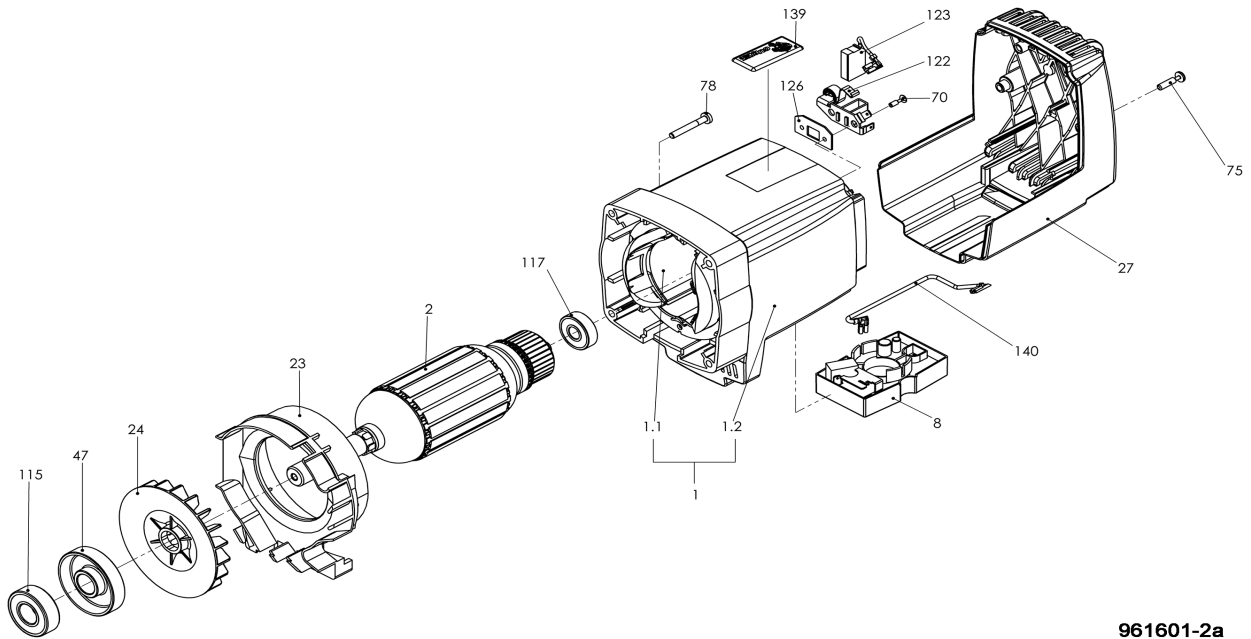


Ref. No. 961601

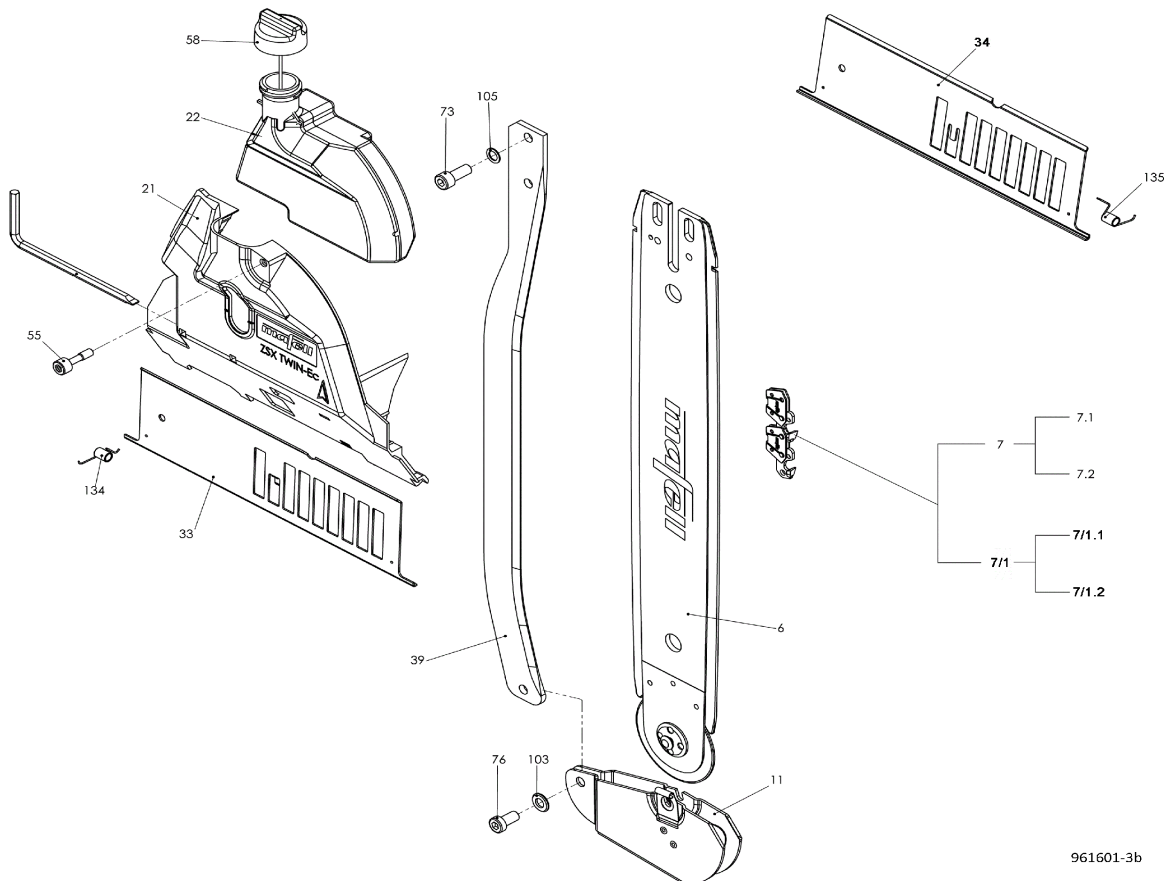
Carpenter's Chain Saw ZSX TWIN Ec



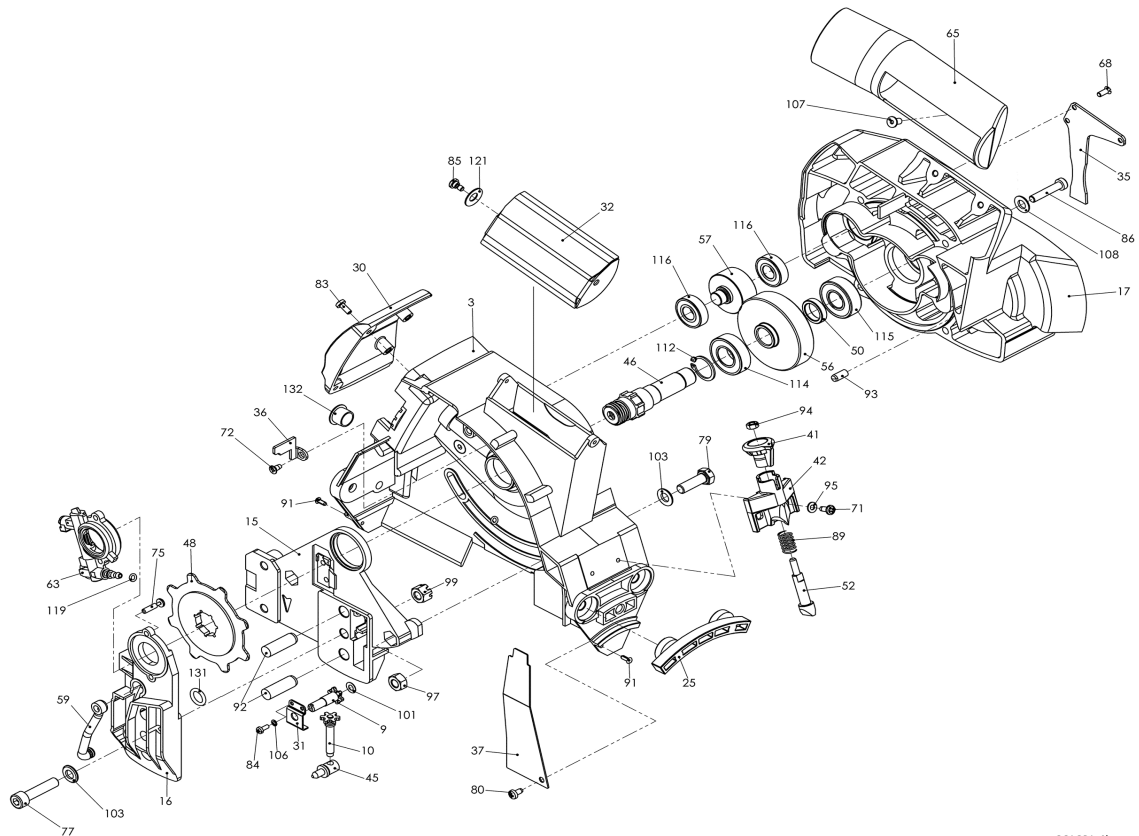
961601-1b



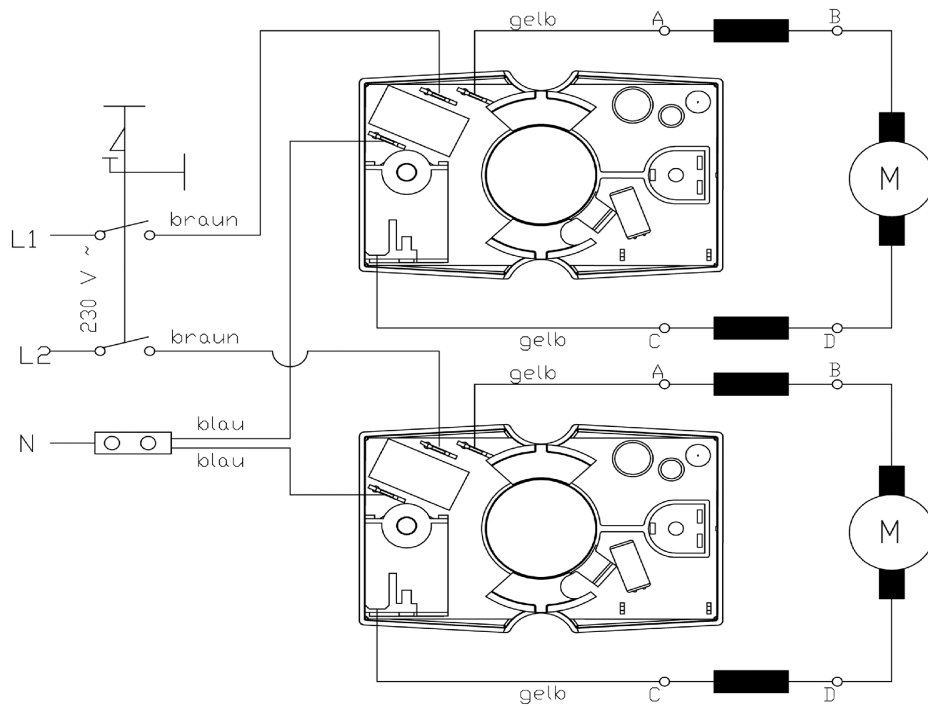
961601-2a



961601-3b



961601-4b



961601-5a

pos. no.	spare part number	GTIN	name of spare part	count	price key
1	084586	4032689160344	Motor casing with inductor	2	41
1.1	084615	4032689160290	Inductor 230 V	2	38
1.2	203849	4032689160368	Motor casing, empty	2	26
2	088197	4032689160221	Armature balanced 230 V	2	44
3	205915	4032689180793	Gear casing	1	54
4	079070	4032689031828	Wing screw Wing screw	4	5
6	204582	4032689161280	Guide rail 400 HM for 006972 for 006972	1	99
7	006972	4032689160603	Carbide-tipped fine-cut saw chains HM 400 for ZSX Ec / 400 HM	1	99
7.1	091008	4032689166056	Replacement chain, left	1	99
7.2	091009	4032689166063	Replacement chain, right	1	99
7/1	006977	4032689180786	Carbide-tipped longitudinal-cut chain TWIN-HM 400	1	99
7/1.1	091018	4032689186658	Replacement chain, left	1	99
7/1.2	091019	4032689186665	Replacement chain, right	1	99
8	077175	4032689180809	Control module	2	31
9	201145	4032689002064	Arbor, cpl. Arbor, cpl.	1	16
10	201146	4032689092805	Tensioning screw, cpl. Tensioning screw, cpl.	1	17
11	205980	4032689189277	Guard plate	1	20
12	201101	4032689042190	Base plate	1	41
14	204186	4032689151168	Segment for tilting	1	34
15	201107	4032689086200	Tilting plate Tilting plate	1	36
16	204462	4032689160702	Intermediate cover	1	28
17	205920	4032689180816	Intermediate case	1	48
18	204189	4032689151175	Segment for tilting, rear	1	32
19	205581	4032689177649	Handle shell, left	1	17
20	204216	4032689154619	Switch lever	1	12
21	205945	4032689182537	Cover	1	21
22	201116	4032689115900	Oil tank Oil tank	1	19
23	205936	4032689180830	Air conducting ring	2	17
24	039182	4032689059211	Fan	2	12
25	204184	4032689151144	Sliding bar	2	6
27	204643	4032689163741	Motor cover	2	17

pos. no.	spare part number	GTIN	name of spare part	count	price key
28	201745	4032689093604	Locking lever Locking lever	1	4
29	205928	4032689180847	Auxiliary stop	1	31
30	205924	4032689180854	Cover	1	37
31	201128	4032689000503	Cover Cover	1	6
32	201139	4032689089997	Chip deflector Chip deflector	1	11
33	201140	4032689085180	Guard flap left	1	13
34	201141	4032689085197	Guard flap right	1	13
35	205923	4032689180861	Covering plate	1	20
36	204594	4032689161365	Angle plate	1	9
37	201740	4032689017846	Sheet metal cover	1	7
38	205937	4032689180878	Handle shell, right	1	22
39	204587	4032689161334	Riving knife 400 for 006972, 006971, 006974 for 006974, 006972	1	99
40	204190	4032689160634	Splinter guard	2	10
41	204181	4032689151113	Handle	1	6
42	204182	4032689151120	Indicator plate	1	8
43	087897	4032689167879	Terminal strip 1-pol.	1	2
44	203877	4032689149097	Handle insert	1	8
45	204580	4032689167688	Clamping nut	1	8
46	201135	4032689039695	Gear shaft Gear shaft	1	30
47	201138	4032689016122	Brake drum Brake drum	2	17
48	204584	4032689161303	Sprocket HM for 006968 for 006968, 006972	1	99
49	205926	4032689180977	Cable clamp	1	16
50	201137	4032689019512	Spacer sleeve Spacer sleeve	1	8
52	204183	4032689151137	Locking bolt	1	13
54	204188	4032689151199	Spacer sleeve	1	8
55	201743	4032689120157	Cylinder-head screw	1	11
56	205918	4032689180885	Gear wheel	1	34
57	205919	4032689180892	Idler gear	2	30
58	201153	4032689115962	Oil tank cap Oil tank cap	1	9
59	201131	4032689115870	Oil tube Oil tube	1	8
61	205925	4032689180908	Handle adapter	2	19

pos. no.	spare part number	GTIN	name of spare part	count	price key
63	201144	4032689115825	Oil pump, cpl. Oil pump, cpl.	1	34
66	201142	4032689016733	Bow handle Bow handle	1	22
67	005276	4032689040196	Threaded pin	1	3
68	005332	4032689087962	Flat-head screw	3	1
69	053029	4032689127781	Flat-head screw	2	2
70	053020	4032689058146	Counter-sunk oval-head screw	8	1
71	055251	4032689146416	Oval-head screw Oval-head screw	2	1
72	005390	4032689088075	Flat-head screw	1	1
73	055038	4032689120423	Cylinder-head screw	2	2
74	055233	4032689058320	Cylindrical oval-head screw K40x12 KT 20	3	1
75	055061	4032689058313	Cylindrical oval-head screw K40x18 Kombi-TORX	12	1
76	055172	4032689120355	Cylinder-head screw	1	2
77	055074	4032689120454	Cylinder-head screw	1	1
78	055258	4032689160481	Oval-head screw	8	1
79	005640	4032689114996	Hexagon-head screw	2	2
80	055091	4032689058351	Cylindrical oval-head screw Cylindrical oval-head screw	1	1
81	055101	4032689058597	Oval-head screw Oval-head screw	16	1
82	055127	4032689058603	Oval-head screw Oval-head screw	2	1
83	055068	4032689058511	Oval-head screw Oval-head screw	3	1
84	055143	4032689058504	Oval-head screw	2	1
85	055118	4032689005034	Shoulder screw	2	2
86	055113	4032689120218	Cylinder-head screw	4	1
87	055014	4032689120393	Cylinder-head screw	2	2
88	057041	4032689151212	Set screw M 8 FO x 45 - 8.8	1	2
89	066082	4032689021614	Pressure spring	1	3
90	066016	4032689098715	Cup spring	1	1
91	058068	4032689048840	Ribbed nail Ribbed nail	2	1
92	058184	4032689120799	cylindrical pin 10 m6 x 32 DIN 6325	2	4
93	058126	4032689120737	cylindrical pin 6 m6 x 14 DIN 6325	2	1
94	005999	4032689115290	Locking nut Locking nut	1	1
95	061015	4032689078939	Washer	2	1

pos. no.	spare part number	GTIN	name of spare part	count	price key
96	005970	4032689115214	Locking nut Locking nut	1	1
97	005920	4032689113722	Hexagonal nut	2	1
98	005978	4032689114002	Hexagonal nut	2	1
99	059010	4032689052922	Castel nut Castel nut	1	2
100	005979	4032689115238	Locking nut Locking nut	2	1
101	061110	4032689067469	Shim ring	1	1
102	061038	4032689079240	Washer	2	1
103	006102	4032689079233	Washer	5	1
104	006101	4032689079219	Washer	4	1
105	006114	4032689088716	Locking washer	2	1
106	007113	4032689088655	Locking washer	2	1
107	053022	4032689088129	Flat-head screw	2	2
108	006113	4032689088709	Locking washer	4	1
111	061013	4032689079073	Washer	1	1
112	006195	4032689088945	Retaining ring	1	1
114	006231	4032689053493	Grooved ball bearing	1	18
115	006260	4032689053769	Grooved ball bearing Grooved ball bearing	3	18
116	006280	4032689053417	Grooved ball bearing	4	17
117	062073	4032689053905	Grooved ball bearing	2	15
119	065004	4032689066530	Sealing ring	2	1
120	006591	4032689066646	Sealing ring	1	1
121	006675	4032689098685	Cup spring	2	2
122	063157	4032689017013	Brush holder 6,4 x 16	4	12
123	063180	4032689160030	Carbon brush with automatic cut-off 230 V	4	13
125	065023	4032689031453	Wing nut Wing nut	1	6
126	201872	4032689102412	Pad	4	2
127	029584	4032689048031	Cable clamp Cable clamp	2	2
129	076492	4032689047836	Cable binder Cable binder	2	2
130	086065	4032689048192	Cable protecting sleeve Cable protecting sleeve	1	2
131	065033	4032689066073	Sealing ring	1	1
132	076498	4032689105703	Plug	1	2

pos. no.	spare part number	GTIN	name of spare part	count	price key
134	066114	4032689020761	Torsion spring, left Torsion spring, left	2	4
135	066115	4032689020785	Torsion spring, right Torsion spring, right	2	4
136	066043	4032689021393	Pressure spring	6	2
138	077622	4032689151205	Angle scale	1	10
139	070644	4032689161112	Sticker Cuprex compact 45 x 20	1	2
140	085176	4032689154909	Connecting cable	4	3
141	087599	4032689108476	2-pole switch 2-pole switch 12 (12) A 250 V ~	1	22
142	087906	4032689180922	Mains cable with CEE-plug 400 V ~	1	34
143	087907	4032689180939	Connecting cable	2	8