



A	-Industriesauger iPulse L-1635 Premium	(018652)
B	-Industriesauger iPulse L-1635 Top	(018621)
C	-Industriesauger iPulse M-1635 Safe Plus	(018638)
D	-Industriesauger iPulse H-1635 Safe Plus	(018614)
E	-Industriesauger iPulse H-1235 Asbest Safe Plus	(018645)
F	-Industriesauger iPulse L-1635 Basic	(018539)
G	-Industriesauger iPulse M-1635 Safe	(018935)
H	-Industriesauger iPulse L-1435 Basic	(019581)
I	-Industriesauger iPulse L-1635	(019598)
J	-Industriesauger iPulse L-1635 Premium	(018980)
K	-Industriesauger iPulse L-1435 Top	(019208)
L	-Industriesauger iPulse L-1635 Top (CH)	(018973)
M	-Industriesauger iPulse M-1635 Safe Plus (DK)	(018997)
N	-Industriesauger iPulse H-1635 Safe Plus (DK)	(019673)
O	-Industriesauger iPulse L-1635 (NZ)	(019192)
P	-Industriesauger iPulse L-1635 Top (NZ)	(019215)
Q	-Industriesauger iPulse M-1635 Safe Plus (NZ)	(019864)
R	-Industriesauger iPulse L-1635 Basic (CH)	(019970)
S	-Industriesauger iPulse H-1235 Asbest Safe Plus (CH)	(019987)
T	-Industriesauger ISP iPulse ARDL-1435 EW	(015057)
U	-Industriesauger ISP iPulse ARDL-1435 EWS	(015088)
V	-Industriesauger ISP iPulse ARDL-14 Modul A	(015118)
W	-Industriesauger ISP iPulse ARM-1435 EW	(015064)
X	-Industriesauger ISP iPulse ARH-1435 EW	(015095)
Y	-Industriesauger ISP iPulse ARH-1035 Asbest EW	(015132)
Z	-Industriesauger ISP iPulse ARDL-1635 EW	(015231)
AA	-Industriesauger ISP iPulse ARDL-1435 EWS (NZ)	(015156)
AB	-Industriesauger ISP iPulse ARM-1435 (CH)	(015170)
AC	-Industriesauger ISP iPulse ARH-1035 Asbest (CH)	(015163)
AD	-Industriesauger ISP iPulse ARDL-1635 (CH)	(015194)
AE	-Industriesauger ISP iPulse ARDL-1635 EWSR	(015217)
AF	-Industriesauger ISP iPulse ARH-1435 Asbest EW	(016412)
AG	-Industriesauger ISP iPulse ARH-1635 EW	(016436)
AH	-Industriesauger ISP iPulse ARM-1635 EW	(016443)
AI	-Industriesauger ISP iPulse ARDL-1635 EWS	(016450)
AJ	-Industriesauger ISP iPulse ARDL-1635 EWSA	(017273)
AK	-Industriesauger ISP iPulse ARM-1635 EWA	(017280)
AL	-Industriesauger ISP iPulse ARH-1635 EWA	(017297)
AM	-Industriesauger ISP iPulse ARH-1435 Asbest EWA	(017303)
AN	-Industriesauger ISP iPulse ARH-1635 Safe (DK)	(020556)
AO	-Industriesauger iPulse M-1635 Safe Plus Series 100	(103235)
AP	-Industriesauger iPulse L-1635 Premium Plus	(100166)
AQ	-Industriesauger iPulse L-1435 Basic EW	(110349)
AR	-Industriesauger iPulse M-1435 Safe Plus 110V UK	(110516)
AS	-Industriesauger iPulse L-1635 Top ASR	(104225)

Pos.-Nr. Item-No.	Benennung Name		Typ Typ	Bestell-Nr. Part-No.	PG PG
01+02+03	Set Griff	Set handle	A-AS	407937	12
04+05+16+30	Set Anschlussleitung	Set power cord	A/B/F//H/I/Z/AI/AJ/AQ/AS	444666	22
04+05+16+30	Set Anschlussleitung	Set power cord	C-E/G/J/W-Y/AE/ AF-AH/AK-AM/AO/AP	444819	23
04+05+16+30	Set Anschlussleitung	Set power cord	K/T-V	445083	22
04+05+16+30	Set Anschlussleitung (CH)	Set power cord (CH)	L/R/AD	445687	29
04+05+16+30	Set Anschlussleitung (DK)	Set power cord (DK)	M/N/AN	445694	24
04+05+16+30	Set Anschlussleitung (NZ)	Set power cord (NZ)	O-Q/AA	445991	25
04+05+16+30	Set Anschlussleitung (CH)	Set power cord (CH)	S/AB/AC	446103	22
04+05+16+30	Set Anschlussleitung (110V UK)	Set power cord (110V UK)	AR	467863	38
06	Deckel Ersatz	cover housing spare	A-S/AN/AO-AS	444673	25
06	Deckel Ersatz	cover housing spare	T-AM	445281	25
56+57+30	Set Reling	Set railing	A-E/I-Q/S/AO/AP/AR-AS	445106	22
58+30	Set Multifunktionshalter	Set multifunctional holder	F-H/R/AN/AQ	444697	14
07+08	Set Frontplatte	Set front plate	A-N/P/R-S/AN/AO-AS	444703	17
07+08	Set Frontplatte	Set front plate	T-AM	445298	17
07+08	Set Frontplatte AUS	Set front plate AUS	O/Q	459080	19
10/3	Set Schutzschalter AUS	Set safety switch AUS	O/Q	454900	19
09+10+9/1+ 10/1+10/2	Set Schaltknebel	Set switch knob	A-S/AN/AO-AS	444710	16
09+10+9/1+ 10/1+10/2	Set Schaltknebel	Set switch knob	T-AM	445496	16
11+30	Set Maschinensteckdose	Set power tool plug socket	A-K/T-Z/AE-AM/ AO-AQ/ AS	444727	16
11+30	Set Maschinensteckdose (CH)	Set power tool plug socket (CH)	L/R/S/AB-AD	445717	27
11+30	Set Maschinensteckdose (DK)	Set power tool plug socket (DK)	M/N/AN	445700	21
11+30	Set Maschinensteckdose (NZ)	Set power tool plug socket (NZ)	O-Q/AA	445984	28
11+30	Set Steckdose 110V UK	Set power tool plug socket 110V UK	AR	457703	21

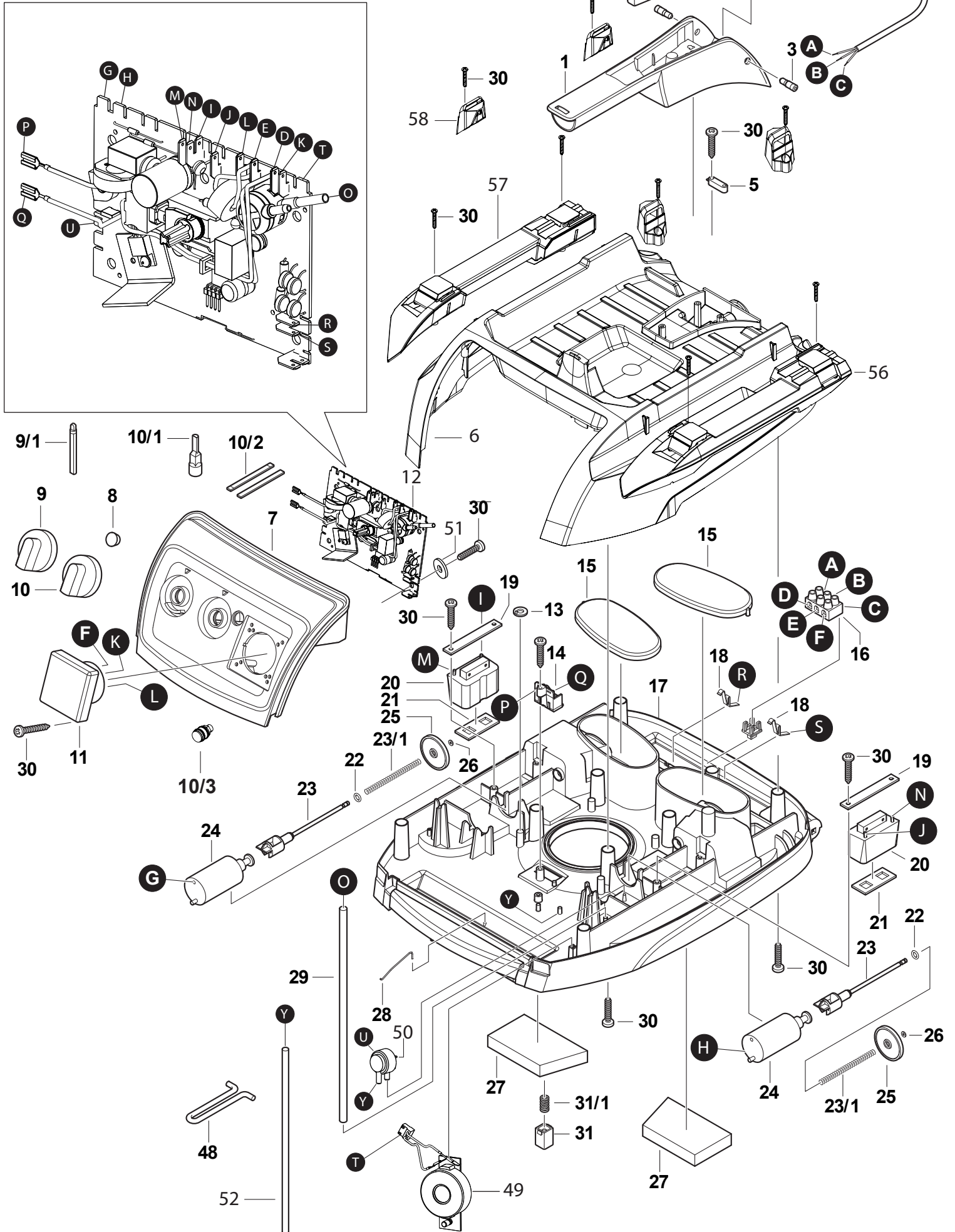
12+29+30+50+51+52	Set Elektronik L	Set electronic L	A/B/F/H-U/O/ P/R/AP/AQ/AS	444734	37
12+29+30+50+51+52	Set Elektronik M/H	Set electronic M/H	C/D/E/G/M/N/Q/ S/AN/AO	444741	37
12+29+30+50+51+52	Set Elektronik L	Set electronic L	AE	447209	37
12+29+30+50+51+52	Set Elektronik L	Set electronic L	T-V/Z/AA/ AD/AI/AJ	447216	37
12+29+30+50+51+52	Set Elektronik M/H	Set electronic M/H	W-Y/AB/AC/AF/ AG/AH/AK-AM	447223	37
12+29+30+50+51+52	Set Elektronik M 110V	Set electronic M 110V	AR	467870	36
14	Set Motorsteckdose	Set motor plug socket	A-AS	417707	06
17	Trägerplatte Ersatz	carrier plate spare	A-AS	444758	26
18+28+44	Set Kontakt Teile	Set contact parts	A-AS	444765	09
19+20+21+30	Set Rüttler	Set vibrating magnet	A-AQ/AS	444772	24
19+20+21+30	Set Rüttler	Set vibrating magnet	AR	459547	24
15+22+23+23/1+25+26	Set Kupplung	Set coupling	A-AS	444789	13
24	Zugmagnet Ersatz	pull magnet spare	A-AQ/AS	444796	19
24	Zugmagnet Ersatz	pull magnet spare	AR	461014	19
27+27/1	Set Motorschutzfilter	Set motor protection filter	A-AS	408200	12
30	Set Spax-Schraube (35x)	Set spax screw (35x)	A-AS	441856	09
31+31/1+48+30	Set Druckstück+Abstützung	Set pressure piece+brace support	A-AS	444826	12
31/1+35+36+37 38+38/1+38/2	Set Riegel	Set bolt	A-AS	444833	15
32	Set Motorstecker	Set motor plug connector	A-AS	441870	10
33	Set Lagerbolzen	Set bearing pin	A-AS	441887	10
34	Motorgehäuse Ersatz	motor housing spare	A-AS	444802	23
39+39/1	2xElektrode+2xKlemmhülse	2xelectrode + 2xclamping piece	A-AS	441900	09
42+30	Set Unterteil	Set lower housing	A-AS	444932	27
43	2xVerschluss	2x closing latch	A-AS	408293	12
45+45/1+46+53	Set Dichtungen	Set sealings	A-AS	444680	14
47+47/1	Faltenfilter HEPA	Filter cartridge HEPA	X/Y/AC/ AF/AG/AL/AM	419190	44
47+47/1	Faltenfilter NANO	Filter cartridge NANO	AB	429557	37
47+47/1	Faltenfilter Polyester M Advanced	Filter cartridge polyester M Advanced	A-C/F/G-M/O-R/ AO-AS	459257	36
47+47/1	Faltenfilter HEPA H14 Advanced	Filter cartridge HEPA H14 Advanced	D/E/S	459264	38
47+47/1	Faltenfilter HEPA H14 Advanced	Filter cartridge HEPA H14 Advanced	N/AN	468617	45
90	Set Motorgebläse 1200W	Set motor 1200W	E/H/K/S-Y/AA/ AB/AC/AF/AM/AQ	444901	40
90	Set Motorgebläse 1400W	Set motor 1400W	A-D/F/G/I/J/L-R/Z/ AD/AE/AG- AL/AN/AO/AP/AS	444918	41
90	Set Motorgebläse 1200W	Set motor 1200W	AR	445878	36
49	Set Hupe	Set signal horn	C-E/G/M/N/Q/S/ W-Y/AB/AC/AF/ AG/AH/AK-AN/AR	444840	18
00	Set Aufkleber iPulse/L/M	Set iPulse/L/M label		444857	11
00	Aufkleber Asbest Ersatz	Asbest label spare	E/S/Y/AC/AF/AM	444864	13
00	Aufkleber "H" Ersatz	"H" label spare	D/E/N/S/X/Y/AC/ AF/AG/AL/AM/AN	444871	13

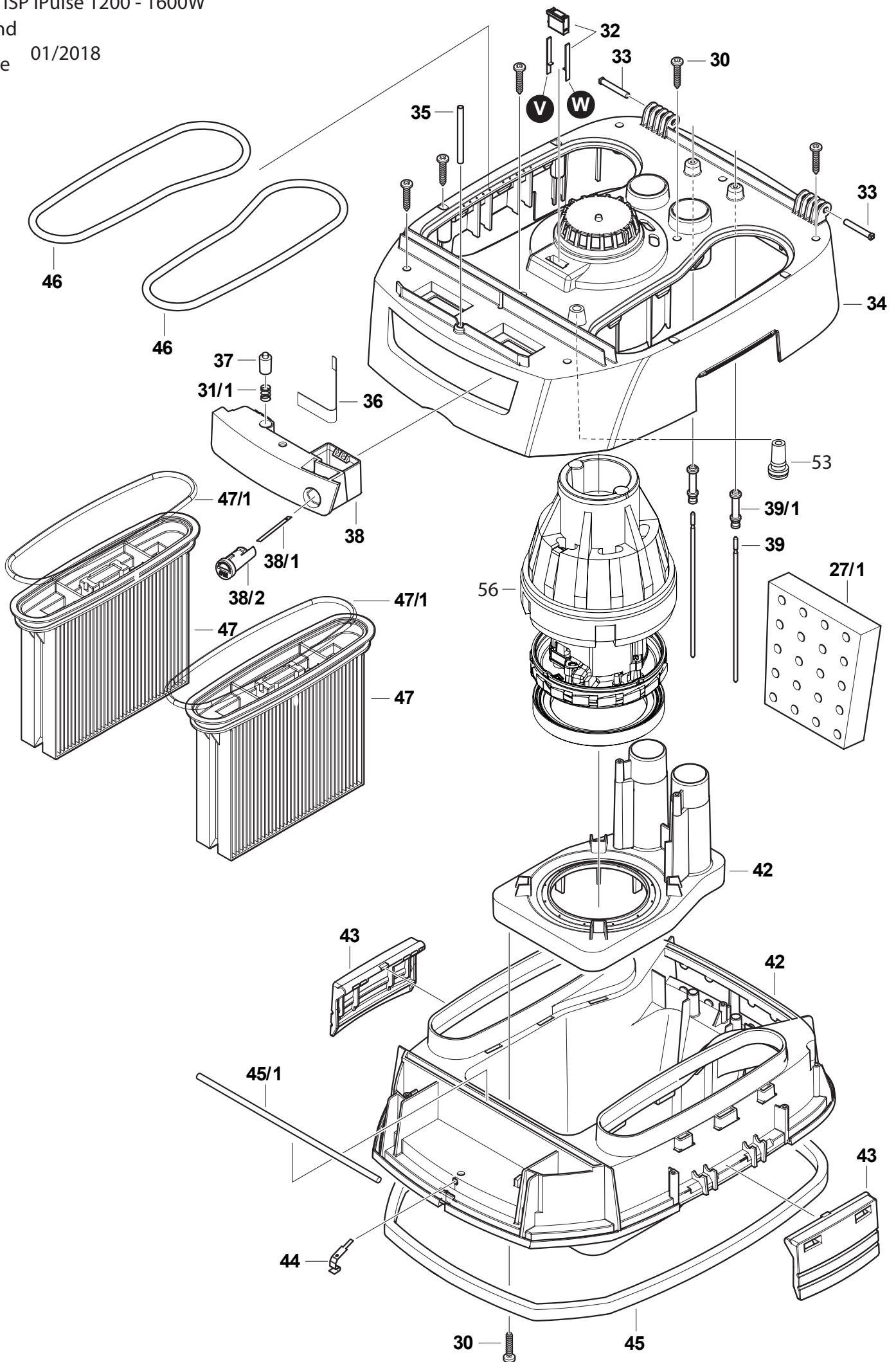
Behälter 35 L

01+02+03+04+05+06	Set Behälter 35L	Set container 35L	A-U/W-AO/AR/AS	444888	40
01+02+03+04+05+06	Set Behälter 35L	Set container 35L	AP	460000	40
02+03+04+05	Set Räder	Set wheels	A-U/W-AS	444895	21
05	Set Radblende	Set wheel blind	A-S/AN-AR	408941	06
06	2xLenkrolle	2x caster wheel	A-U/W-AO/AQ/AR/AS	441832	15
06	2X Metall-Lenkrolle	2x metal castor	AP	459509	19
08+08/1+08/2	Ablass-Set	Drain set	A-U/W-AN/AP	408958	15
95	Zubehöraufnahme Ersatz	Accessory holder spare	A-U/W-AS	445113	16
96+97	Set Behälterverschluss	Set container stopper	W-Y/AB/AC/ AF-AH/AK-AM	445205	17
54+55	Set Fahrbügel+Federstecker	Pushing handle+fastener spring	A-U/W-AS	445137	26

Typ ISP iPulse 1200 - 1600W

Stand 02 - 22
Issue





Typ ISP iPulse 1200 - 1600W

Stand 09 - 18
Issue

