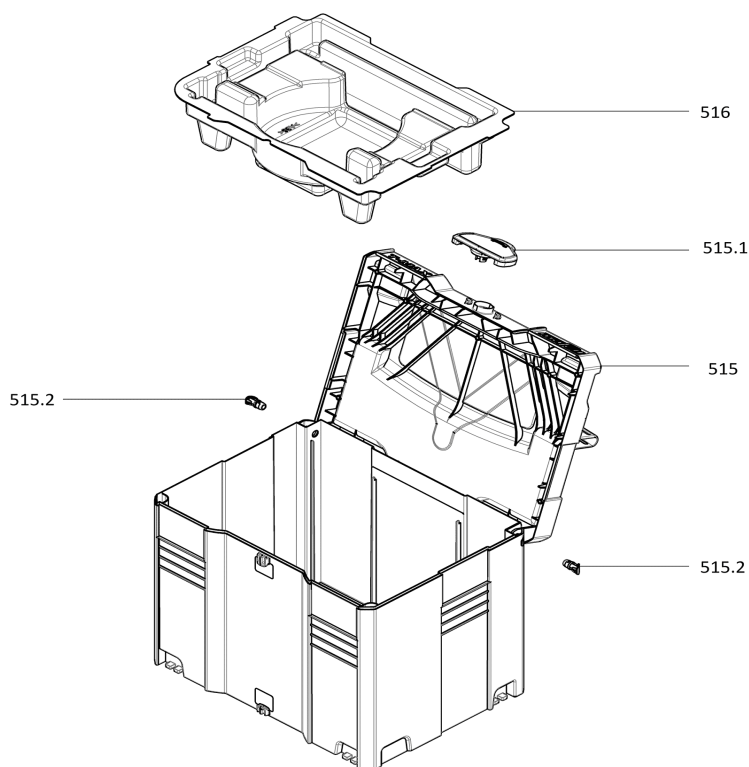
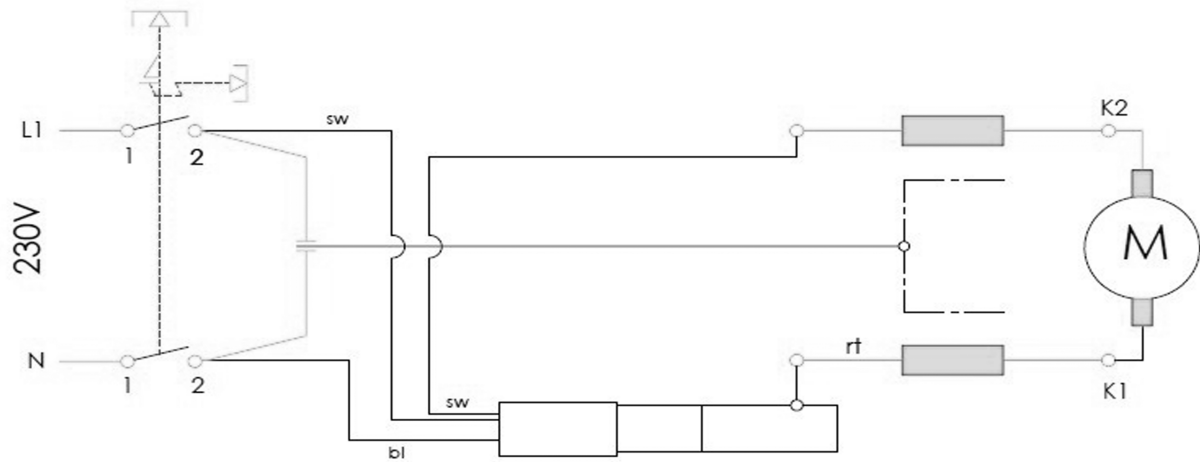


916701-2a1



916701-5a



916701-4a

pos. no.	spare part number	GTIN	name of spare part	count	price key
1	084548	4032689142760	Motor casing with inductor Motor casing with inductor 230 V	1	30
1.1	084547	4032689142470	Inductor with coil	1	25
1.2	203196	4032689143064	Motor casing, empty Motor casing, empty	1	20
2	088169	4032689142449	Armature, balanced Armature, balanced 230 V ~	1	31
3	208169	4032689221076	Guide track S max. cutting length 292 mm (11 1/2 in.)	1	99
3.11	205442	4032689171647	Stop plate	1	15
3.11.1	203987	4032689150376	Indicator	1	9
3.11.2	203988	4032689150369	Stop plate	1	5
3.11.3	204237	4032689151984	Sleeve	1	5
3.11.4	006102	4032689079233	Washer	1	1
3.11.5	005688	4032689114705	Hexagon-head screw M 5 x 30 - 8.8	1	2
3.11.6	005915	4032689113814	Hexagonal nut	1	1
3.13	005986	4032689115269	Locking nut Locking nut	1	1
3.14	053031	4032689150956	Flat-head screw M 4 x 8 - 8.8 Torx 20	1	1
3.15	053033	4032689153629	Flat-head screw M 4 x 6 - 8.8	1	1

pos. no.	spare part number	GTIN	name of spare part	count	price key
3.16	053029	4032689127781	Flat-head screw	2	2
3.23	204371	4032689154114	Splinter guard	1	10
3.24	204370	4032689154107	Adhesive coating	1	17
3.26	204226	4032689153599	Buffer	1	3
3.27	205586	4032689177199	Polyethylene cable ø 4 mm; 1,18 m	1	12
3.29	204225	4032689153582	Skale	1	7
3.30	208173	4032689221557	safety sticker KSS	1	2
3.6	204019	4032689153681	Stop plate	1	4
3.7	204234	4032689154091	Polyethylene cable	1	11
3.8	206610	4032689194295	Cover	1	4
3.9	204022	4032689153704	end cap	1	4
4	203185	4032689142982	Gear casing	1	31
5	204018	4032689153674	Base plate	1	29
6	203172	4032689142869	Tilting support Tilting support	1	24
7	207806	4032689213545	Protective cover retractable	1	22
8	077174	4032689177991	Control module	1	20
12	203190	4032689143033	Handle shell Handle shell	1	12
13	203189	4032689143026	Motor cover	1	8
15	204231	4032689153759	Protective cover	1	12
16	207808	4032689214399	Cover	1	9
17	203184	4032689142975	Air conducting ring	1	7
18	203183	4032689142968	Bearing block	1	7
19	203182	4032689142951	Fan	1	7
20	204224	4032689153735	Adapter	1	4
21	203181	4032689142944	Locking bolt	1	5
22	203188	4032689143019	Switch trigger	1	6
23	203187	4032689143002	Lock-off button Lock-off button	1	6
25	204546	4032689159546	Lever	1	13
26	203177	4032689142913	Lever Lever	1	6
28	203169	4032689142418	Centrifugal disk	1	4
30	203193	4032689143040	Lever joint Lever joint	1	12

pos. no.	spare part number	GTIN	name of spare part	count	price key
34	203164	4032689142791	Riving knife/splitter support Riving knife/splitter support	1	10
35	203165	4032689142807	Riving knife/splitter Riving knife/splitter	1	7
37	200050	4032689092478	Clamping claws	2	3
41	203168	4032689142838	Bearing cover Bearing cover	1	13
43	203813	4032689146645	Gear shaft, cpl. Gear shaft, cpl.	1	28
45	203167	4032689142821	Flange, rear Flange, rear	1	11
46	203166	4032689142814	Flange, front Flange, front	1	10
49	203783	4032689144535	Clamping bolt Clamping bolt	1	3
53	207809	4032689214306	Bowden cable cpl.	1	14
54	207807	4032689214276	Stop buffer	1	3
55	075140	4032689047621	Insulating tube RD4x0,9x15	1	3
56	066205	4032689214382	Retracting spring	1	4
57	066151	4032689143743	Retracting spring Retracting spring	1	3
59	006634	4032689129815	Retracting spring	1	2
61	006657	4032689021843	Pressure spring	1	1
62	066043	4032689021393	Pressure spring	2	2
64	006660	4032689098661	Cup spring	1	2
67	062010	4032689053608	Grooved ball bearing 7/19 x 6 DIN625	1	16
68	006294	4032689053394	Grooved ball bearing Grooved ball bearing	1	15
69	062082	4032689053400	Grooved ball bearing Grooved ball bearing	1	15
74	076959	4032689031484	Wing nut Wing nut	2	5
75	071011	4032689142753	Wing screw	2	5
76	039413	4032689091938	Tensioning lever	1	5
78	058206	4032689142722	cylindrical pin 10 m6 x 75 - A -St EN ISO 8734	1	3
79	058207	4032689142739	cylindrical pin 10 m6 x 65 - A - St EN ISO 8734	1	3
82	092559	4032689144566	TCT saw blade 120 x 1.2/1.8 x 20 mm (4 3/4 in.)/ FT/TT 40 teeth, for fine sawing	1	99
86	005279	4032689039930	Threaded pin	1	2
87	005284	4032689039947	Threaded pin self-locking	1	2
89	055152	4032689058665	Oval-head screw	1	1
90	055232	4032689082233	Self-tapping screw	4	1
92	055230	4032689082226	Self-tapping screw	4	1

pos. no.	spare part number	GTIN	name of spare part	count	price key
94	055202	4032689119809	Cylinder-head screw	1	1
96	053019	4032689058498	Oval-head screw Oval-head screw	1	1
99	057002	4032689029245	Truss-head screw	2	1
100	055061	4032689058313	Cylindrical oval-head screw K40x18 Kombi-TORX	4	1
101	055246	4032689142173	Cylindrical oval-head screw	2	2
102	055233	4032689058320	Cylindrical oval-head screw K40x12 KT 20	3	1
104	053024	4032689088013	Flat-head screw	2	2
106	055250	4032689144450	Shoulder screw	1	2
108	056025	4032689142715	Hexagon-head screw	1	4
111	061013	4032689079073	Washer	1	1
112	061177	4032689130507	Shim ring	2	1
113	006132	4032689142692	Washer	1	1
115	071007	4032689142746	Retaining ring	1	2
116	006100	4032689078946	Washer	2	1
117	061069	4032689093697	Locking washer	2	1
119	061106	4032689088686	Locking washer	1	1
120	006184	4032689088679	Locking washer	1	1
122	063160	4032689132631	Brush holder	2	7
123	063166	4032689132716	Carbon brush with automatic cut-off	2	8
125	085187	4032689177984	Connecting cable	1	2
126	087851	4032689142777	2-pole switch	1	11
128	086064	4032689048185	Cable protecting sleeve	1	2
129	087879	4032689159447	Interference suppression capacitor 0.15µF+2x2500pF	1	9
130	087323	4032689007199	Mains cable 4 m (13.1 ft) H05RN-F2x1²	1	21
131	205830	4032689185200	Cable clamp	1	4
502	203180	4032689143774	Parallel guide fence	1	21
506	203782	4032689144542	Hose connector	1	12
508	093074	4032689115146	Allen key 4 mm	1	2
515	095181	4032689195353	T-MAX Carrying case size IV	1	30
515.1	095183	4032689195377	Latch T-MAX	1	9
515.2	095201	4032689196121	Pivot light grey	2	3

pos. no.	spare part number	GTIN	name of spare part	count	price key
516	204228	4032689153605	Plastic tray	1	21