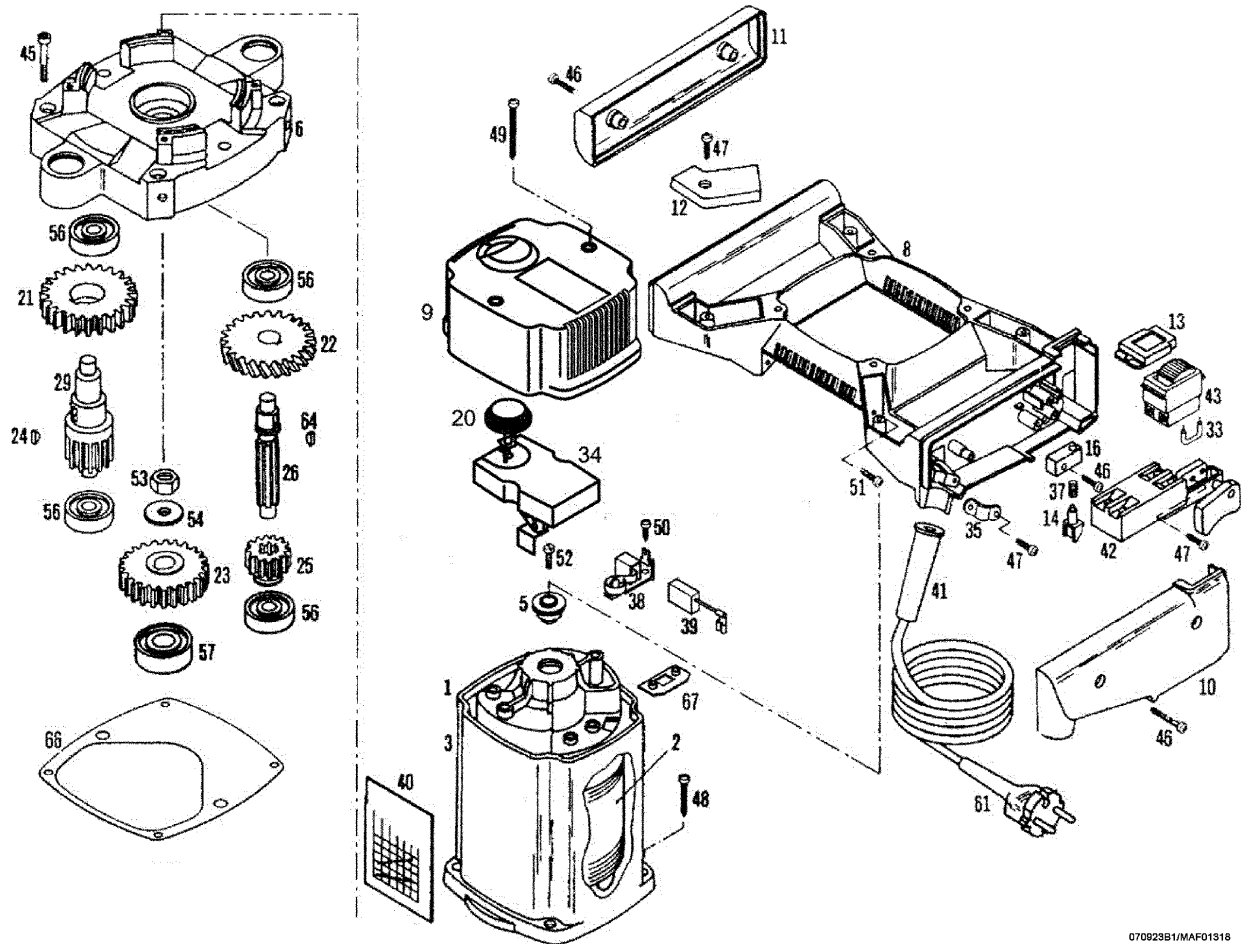
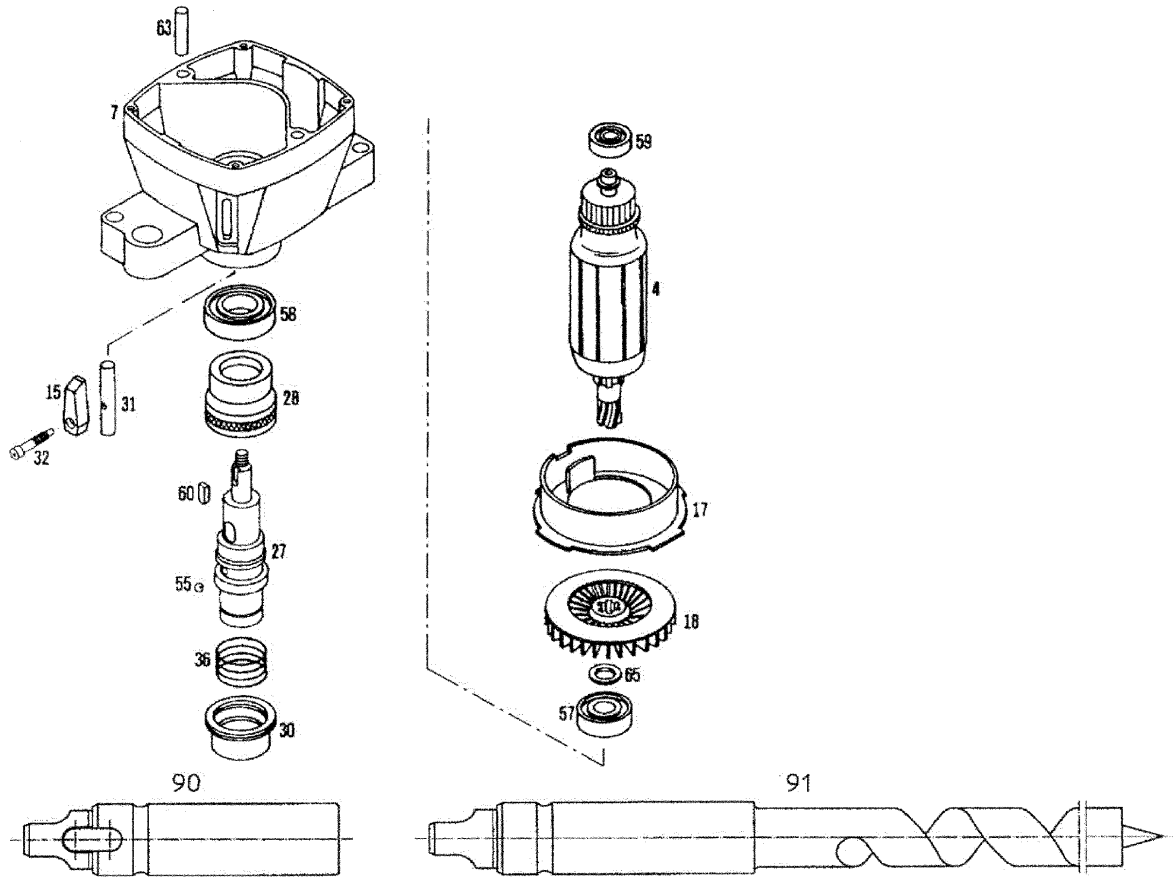


Ref. No. 922901

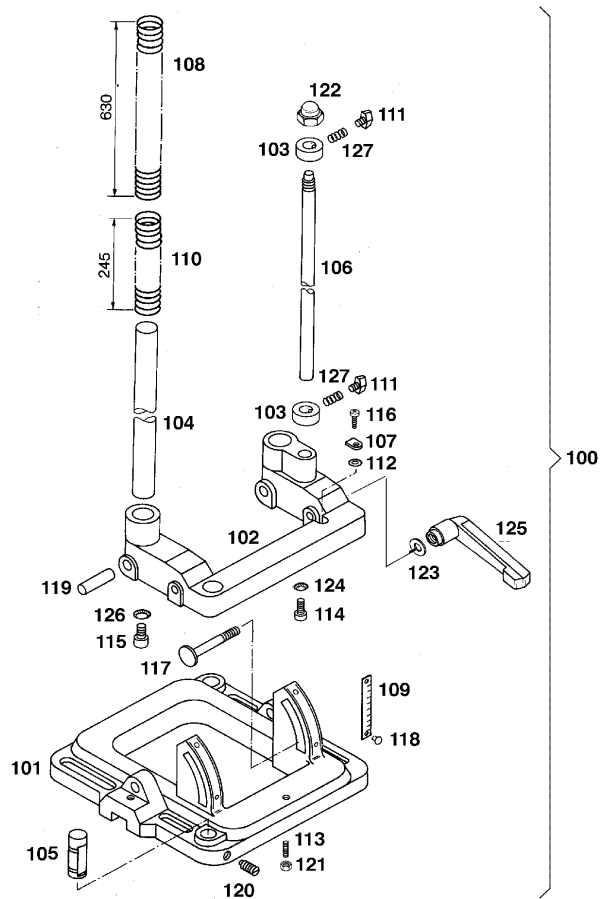
**Carpentry Drilling Machine ZB 400 E with drill mount max. drilling depth 350 mm (13 3/4 in.) up to machine no. 1107017**



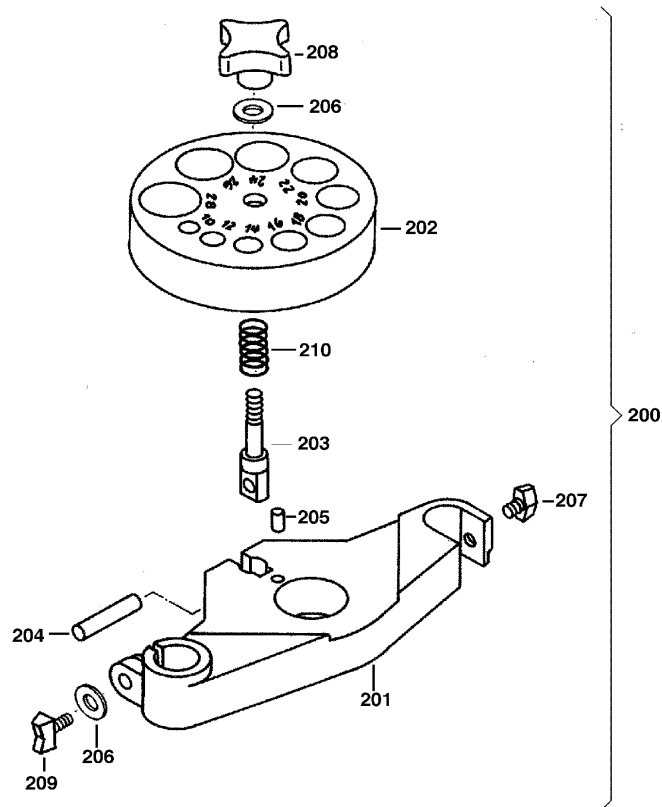
070923B1/MAF01318



070923B2/MAF01316



070923B3/MAF00905



070923B4MAF00908

pos. no.	spare part number	GTIN	name of spare part	count	price key
1	084410	4032689063126	Motor casing with inductor Motor casing with inductor 230 V	1	42
2	084411	4032689060163	Inductor with coil	1	39
3	203635	4032689141329	Motor casing, empty Motor casing, empty	1	26
4	088112	4032689003009	Armature, balanced Armature, balanced 230 V ~	1	45
5	038975	4032689098470	Tachometer carrier	1	14
6	039162	4032689055633	Bearing cover Bearing cover	1	42
7	039164	4032689038797	Gear casing	1	47
8	039173	4032689041308	Handle hood Handle hood	1	24
9	204179	4032689153155	Motor cover	1	14
10	039172	4032689041810	Handle shell, right Handle shell, right	1	12
11	039171	4032689041469	Handle shell, left Handle shell, left	1	12
12	039167	4032689000404	Cover Cover	4	5
13	039166	4032689080048	Sliding cover	1	5
14	039169	4032689069975	Locking bolt Locking bolt	1	5
15	039170	4032689078564	Switch lever	1	5

pos. no.	spare part number	GTIN	name of spare part	count	price key
16	039168	4032689033686	Guide rod Guide rod	1	5
17	039181	4032689059655	Air conducting ring	1	12
18	039182	4032689059211	Fan	1	12
20	204278	4032689153179	Setting wheel	1	6
21	039143	4032689116266	Gear wheel Z 37	1	30
22	039144	4032689116259	Gear wheel Z 36	1	30
23	039137	4032689116242	Gear wheel Z 32	1	29
24	007805	4032689079592	Woodruff key Woodruff key	1	2
25	039145	4032689116235	Gear wheel 14 with spline bore hub	1	29
26	039152	4032689048802	Spline shaft Spline shaft	1	31
27	039134	4032689015187	Drilling shaft Drilling shaft	1	40
28	039141	4032689047317	Sleeve Sleeve	1	25
29	039153	4032689039756	Gear shaft Gear shaft	1	30
30	039142	4032689047133	Sleeve Sleeve	1	22
31	039147	4032689080031	Sliding cover	1	14
32	039184	4032689082349	Screw	1	15
33	039190	4032689103228	Connecting cable Connecting cable	1	3
34	077129	4032689153162	Control module 230 V 50 Hz	1	31
35	029584	4032689048031	Cable clamp Cable clamp	1	2
36	066075	4032689021430	Pressure spring	1	6
37	066078	4032689021454	Pressure spring	1	3
38	063148	4032689017129	Brush holder Brush holder	2	8
39	063147	4032689051895	Carbon brush with automatic cut-off 230 V	2	11
40	077645	4032689021072	Speed diagram	1	8
41	086065	4032689048192	Cable protecting sleeve Cable protecting sleeve	1	2
42	087404	4032689108469	2-pole switch with locking button 2-pole switch with locking button 10 (10) A 250 V ~	1	23
43	087688	4032689108629	2-pole reversing switch 2-pole reversing switch 10 (6) A 250 V ~	1	19
45	055046	4032689119908	Cylinder-head screw	4	1
46	055061	4032689058313	Cylindrical oval-head screw K40x18 Kombi-TORX	5	1
47	055062	4032689058108	Self-tapping oval-head screw	7	1
48	055069	4032689058528	Oval-head screw	4	1

pos. no.	spare part number	GTIN	name of spare part	count	price key
49	055124	4032689058030	Self-tapping oval-head screw	2	1
50	053020	4032689058146	Counter-sunk oval-head screw	4	1
51	055137	4032689058399	Cylindrical oval-head screw Cylindrical oval-head screw	4	1
52	005505	4032689119595	Cylinder-head screw	1	1
53	005970	4032689115214	Locking nut Locking nut	1	1
54	061038	4032689079240	Washer	1	1
55	062042	4032689094786	Steel ball Steel ball	2	1
56	006279	4032689053691	Grooved ball bearing Grooved ball bearing	4	15
57	006260	4032689053769	Grooved ball bearing Grooved ball bearing	2	18
58	006261	4032689053554	Grooved ball bearing Grooved ball bearing	1	20
59	062073	4032689053905	Grooved ball bearing	1	15
60	066081	4032689067681	Adjusting spring Adjusting spring	1	2
61	087612	4032689007250	Mains cable with plug 10 m	1	26
63	058005	4032689120713	cylindrical pin 8 m6 x 32 DIN 6325	2	3
64	007804	4032689079561	Woodruff key Woodruff key	1	2
65	006160	4032689067148	Shim ring	1	1
66	039157	4032689018584	Gasket	1	4
67	201872	4032689102412	Pad	2	2
90	039139	4032689002736	Adapter for MK 2 to adapt tools of the Carpentry Drilling Machine K to model ZB	1	99
91	090201	4032689046105	Auger bit 10 x 650 mm (3/8 x 25 9/16 in.), for ZB 400 E, drilling depth up to 350 mm (13 3/4 in.)	1	99
100	039155	4032689015088	Drill mount up to 350 mm (13 3/4 in.) drilling depth (without focussing device)	1	99
101	039133	4032689042114	Base plate	1	44
102	039131	4032689076409	Column support Column support	1	42
103	038481	4032689006093	Depth stop ring Depth stop ring	2	15
104	039150	4032689035437	Guide column Guide column	2	26
105	039138	4032689015651	Bolt	2	14
106	039151	4032689006260	Depth control column Depth control column	1	20
107	039136	4032689117133	Indicator	1	4
108	066074	4032689021423	Pressure spring	2	8
109	039140	4032689089393	Skale	1	4
110	066076	4032689021447	Pressure spring	2	5

pos. no.	spare part number	GTIN	name of spare part	count	price key
111	079077	4032689147826	Wing screw M6 x 16, black	2	5
112	065004	4032689066530	Sealing ring	1	1
113	005230	4032689040004	Threaded pin	1	2
114	005536	4032689120003	Cylinder-head screw	1	1
115	055172	4032689120355	Cylinder-head screw	2	2
116	055188	4032689058245	Cylindrical oval-head screw Cylindrical oval-head screw	1	1
117	005785	4032689029412	Truss-head screw	2	2
118	005826	4032689048963	Ribbed nail Ribbed nail	2	1
119	058158	4032689120744	cylindrical pin 10 m6 x 36 DIN 6325	2	3
120	005289	4032689022406	Pressure bit, spring-loaded Pressure bit, spring-loaded	2	7
121	005939	4032689113852	Hexagonal nut	1	1
122	005996	4032689113777	Cap nut Cap nut	1	5
123	006102	4032689079233	Washer	2	1
124	006113	4032689088709	Locking washer	1	1
125	007190	4032689050966	Clamping lever	2	13
126	006114	4032689088716	Locking washer	2	1
127	066043	4032689021393	Pressure spring	2	2
200	039179	4032689015019	Focussing device Focussing device	1	48
201	039149	4032689100722	Traverse, lower Traverse, lower	1	37
202	038488	4032689034584	Guide plate Guide plate	1	45
203	039196	4032689010595	Threaded eye-bolt Threaded eye-bolt	1	17
204	058052	4032689121130	cylindrical pin 8 m6 x 36 - ST DIN 7	1	1
205	005821	4032689120928	cylindrical pin 5 m6 x 10 DIN 6325	1	2
206	006102	4032689079233	Washer	2	1
207	079077	4032689147826	Wing screw M6 x 16, black	1	5
208	065021	4032689052830	Star-shaped handle Star-shaped handle	1	11
209	079026	4032689031675	Wing screw Wing screw	1	5
210	066082	4032689021614	Pressure spring	1	3