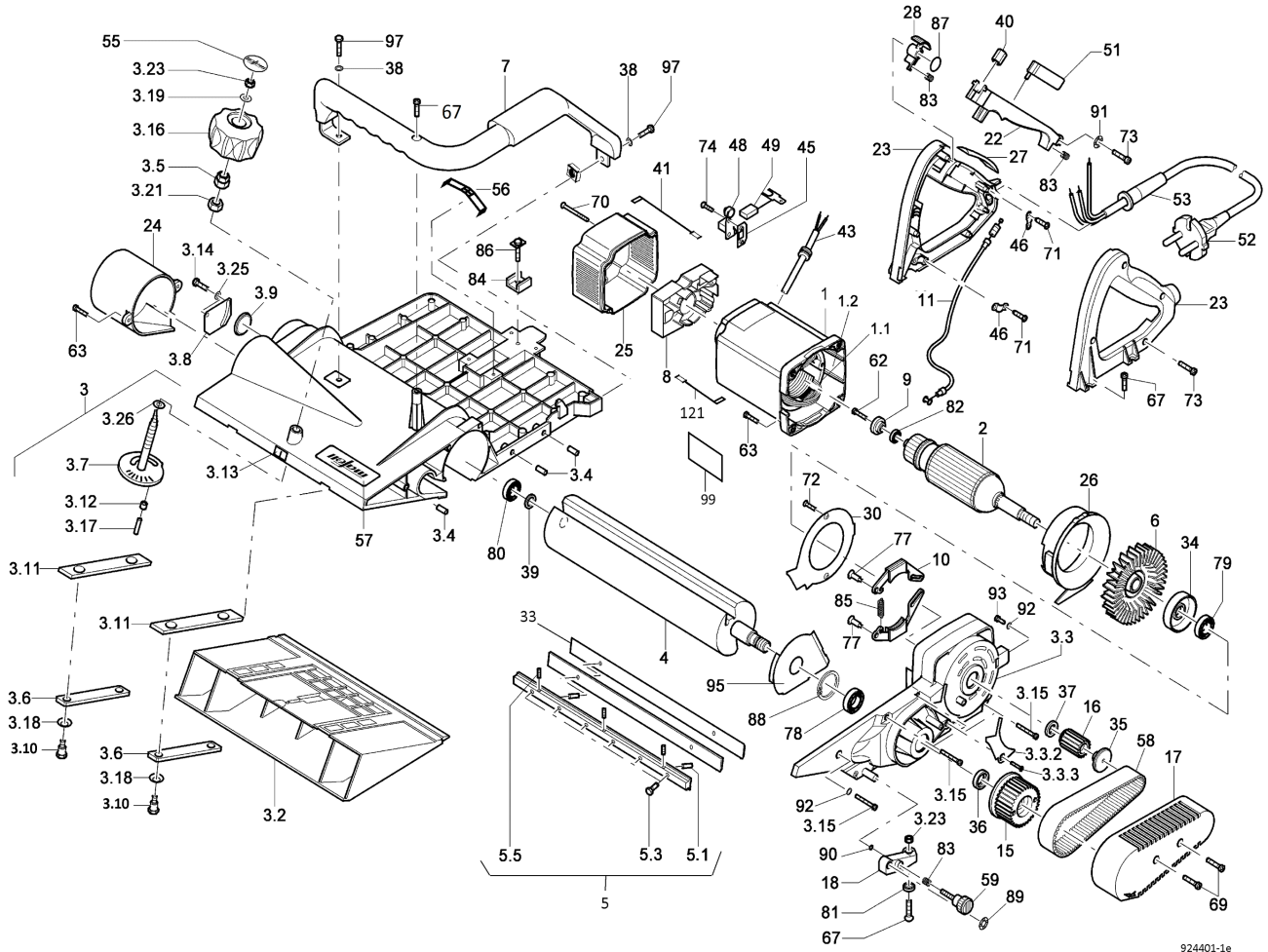
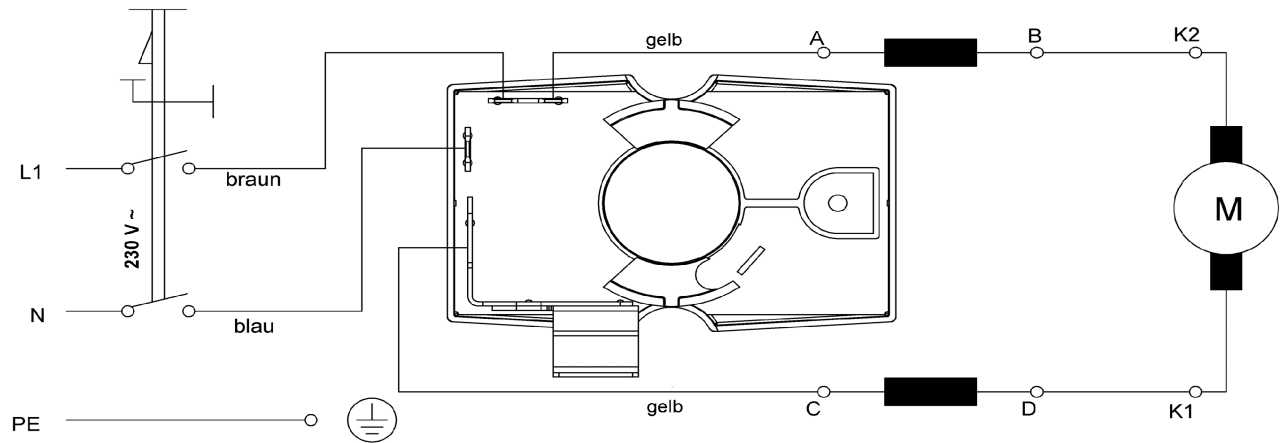


Ref. No. 925201

**Carpentry Planing Machine ZH 205 Ec**



924401-1e



925201-2a

| pos. no. | spare part number | GTIN          | name of spare part   | count | price key |
|----------|-------------------|---------------|--|-------|-----------|
| 1        | 084606            | 4032689163604 | Motor casing with inductor 230 V   | 1     | 41        |
| 1.1      | 084592            | 4032689160276 | Inductor 230 V   | 1     | 38        |
| 1.2      | 204443            | 4032689160566 | Motor casing   | 1     | 26        |
| 2        | 088203            | 4032689163666 | Armature, balanced   | 1     | 46        |
| 3        | 203322            | 4032689144788 | Main body with front base plate, assembled<br>Main body with front base plate, assembled | 1     | 62        |
| 3.10     | 036853            | 4032689004884 | Shoulder screw   | 4     | 7         |
| 3.11     | 036854            | 4032689035567 | Guide rail Guide rail  | 2     | 13        |
| 3.12     | 036861            | 4032689074047 | Jacket Jacket  | 1     | 11        |
| 3.13     | 077651            | 4032689050447 | Adhesive label Adhesive label  | 1     | 4         |
| 3.14     | 005677            | 4032689114651 | Hexagon-head screw   | 2     | 1         |
| 3.15     | 055115            | 4032689058122 | Oval-head screw Oval-head screw  | 5     | 1         |
| 3.16     | 038970            | 4032689044668 | Handle   | 1     | 7         |
| 3.17     | 058125            | 4032689120959 | cylindrical pin 5 m6 x 20 DIN 6325   | 1     | 2         |
| 3.18     | 066027            | 4032689098838 | Cup spring   | 4     | 1         |
| 3.19     | 061172            | 4032689125701 | Washer   | 1     | 1         |

| pos. no. | spare part number | GTIN          | name of spare part                          | count | price key |
|----------|-------------------|---------------|---|-------|-----------|
| 3.2      | 203342            | 4032689144771 | Base plate front Base plate front           | 41    | 44        |
| 3.2.1    | 005924            | 4032689114057 | Hexagonal nut                               | 1     | 1         |
| 3.2.3    | 005979            | 4032689115238 | Locking nut Locking nut                     | 1     | 1         |
| 3.2.5    | 006100            | 4032689078946 | Washer                                      | 2     | 1         |
| 3.2.6    | 006169            | 4032689067179 | Shim ring                                   | 1     | 1         |
| 3.3      | 202302            | 4032689122908 | End plate                                   | 1     | 40        |
| 3.3.2    | 202288            | 4032689000145 | Covering plate Covering plate               | 1     | 5         |
| 3.3.3    | 005399            | 4032689087993 | Flat-head screw                             | 1     | 1         |
| 3.4      | 036054            | 4032689117324 | Centering sleeve Centering sleeve           | 5     | 4         |
| 3.5      | 202403            | 4032689113890 | Hexagonal nut                               | 1     | 12        |
| 3.6      | 035152            | 4032689092041 | Clamping bar Clamping bar                   | 2     | 5         |
| 3.7      | 203317            | 4032689133225 | Cam disk                                    | 1     | 21        |
| 3.8      | 202297            | 4032689000527 | Cover Cover                                 | 1     | 5         |
| 3.9      | 036034            | 4032689105659 | Lid Lid                                     | 1     | 11        |
| 4        | 203324            | 4032689144382 | Cutter head balanced                        | 1     | 45        |
| 5        | 203325            | 4032689144399 | Clamping devices 1 piece for 091897, 091898 | 2     | 99        |
| 5.1      | 058144            | 4032689092997 | Spring dowel sleeve light                   | 6     | 1         |
| 5.3      | 005284            | 4032689039947 | Threaded pin self-locking                   | 4     | 2         |
| 5.5      | 005279            | 4032689039930 | Threaded pin                                | 2     | 2         |
| 6        | 035138            | 4032689059198 | Fan   | 1     | 11        |
| 7        | 203316            | 4032689133218 | Bow handle Bow handle                       | 1     | 27        |
| 8        | 077165            | 4032689165066 | Control module 230 V 50 Hz                  | 1     | 30        |
| 9        | 038975            | 4032689098470 | Tachometer carrier                          | 1     | 14        |
| 10       | 201122            | 4032689015910 | Brake lever, cpl. Brake lever, cpl.         | 2     | 15        |
| 11       | 202301            | 4032689087337 | Bowden cable, cpl. Bowden cable, cpl.       | 1     | 20        |
| 15       | 202286            | 4032689007670 | Driving wheel, large Driving wheel, large   | 1     | 25        |
| 16       | 202287            | 4032689007786 | Driving wheel, small Driving wheel, small   | 1     | 20        |
| 17       | 035140            | 4032689083360 | Protective cover                            | 1     | 18        |
| 18       | 035147            | 4032689045030 | Lever Lever                                 | 1     | 11        |
| 22       | 204216            | 4032689154619 | Switch lever                                | 1     | 12        |
| 23       | 204217            | 4032689154503 | Handle shells (pair)                        | 1     | 18        |

| pos. no. | spare part number | GTIN          | name of spare part                                       | count | price key |
|----------|-------------------|---------------|--|-------|-----------|
| 24       | 202290            | 4032689010632 | Chip ejector attached, 90° fixed                         | 1     | 13        |
| 25       | 204037            | 4032689151816 | Motor cover  | 1     | 14        |
| 26       | 035139            | 4032689059730 | Air conducting ring                                      | 1     | 13        |
| 27       | 203877            | 4032689149097 | Handle insert  | 1     | 8         |
| 28       | 201745            | 4032689093604 | Locking lever Locking lever                              | 1     | 4         |
| 30       | 202289            | 4032689118628 | Intermediate plate Intermediate plate                    | 1     | 6         |
| 33       | 091797            | 4032689144375 | Knife support 1 pair for 091897, 091898                  | 1     | 99        |
| 34       | 202296            | 4032689016139 | Brake drum Brake drum                                    | 1     | 16        |
| 35       | 200680            | 4032689015699 | Boundary disk Boundary disk                              | 1     | 13        |
| 36       | 039007            | 4032689019727 | Spacer ring  | 1     | 10        |
| 37       | 038484            | 4032689019703 | Spacer ring  | 1     | 12        |
| 38       | 006101            | 4032689079219 | Washer   | 2     | 1         |
| 39       | 035994            | 4032689020129 | Spacer disk Spacer disk                                  | 1     | 6         |
| 40       | 201147            | 4032689114088 | Hexagonal nut  | 1     | 7         |
| 41       | 085133            | 4032689103372 | Connecting cable Connecting kabel, yellow 230 V ~, 50 Hz | 2     | 3         |
| 43       | 087800            | 4032689103570 | Connecting cable   | 1     | 7         |
| 45       | 201872            | 4032689102412 | Pad  | 2     | 2         |
| 46       | 029584            | 4032689048031 | Cable clamp Cable clamp                                  | 2     | 2         |
| 48       | 063157            | 4032689017013 | Brush holder 6,4 x 16                                    | 2     | 12        |
| 49       | 063180            | 4032689160030 | Carbon brush with automatic cut-off 230 V                | 2     | 13        |
| 51       | 087599            | 4032689108476 | 2-pole switch 2-pole switch 12 (12) A 250 V ~            | 1     | 22        |
| 52       | 087378            | 4032689007212 | Mains cable with plug                                    | 1     | 34        |
| 53       | 086065            | 4032689048192 | Cable protecting sleeve Cable protecting sleeve          | 1     | 2         |
| 55       | 201166            | 4032689029016 | Name plate Name plate                                    | 1     | 6         |
| 56       | 066184            | 4032689191447 | Plate spring   | 1     | 6         |
| 57       | 077308            | 4032689009056 | Sticker MAFELL   | 1     | 4         |
| 58       | 076488            | 4032689116570 | Toothed belt   | 1     | 19        |
| 59       | 065029            | 4032689069593 | Knurled knob Knurled knob                                | 1     | 8         |
| 62       | 005505            | 4032689119595 | Cylinder-head screw                                      | 1     | 1         |
| 63       | 055086            | 4032689058481 | Cylindrical oval-head screw Cylindrical oval-head screw  | 6     | 1         |
| 67       | 055101            | 4032689058597 | Oval-head screw Oval-head screw                          | 6     | 1         |

| pos. no. | spare part number | GTIN          | name of spare part                                      | count | price key |
|----------|-------------------|---------------|---|-------|-----------|
| 69       | 055082            | 4032689058535 | Oval-head screw Oval-head screw                         | 2     | 1         |
| 70       | 055124            | 4032689058030 | Self-tapping oval-head screw                            | 2     | 1         |
| 71       | 055233            | 4032689058320 | Cylindrical oval-head screw K40x12 KT 20                | 4     | 1         |
| 72       | 005399            | 4032689087993 | Flat-head screw   | 2     | 1         |
| 73       | 055061            | 4032689058313 | Cylindrical oval-head screw K40x18 Kombi-TORX           | 5     | 1         |
| 74       | 053020            | 4032689058146 | Counter-sunk oval-head screw                            | 4     | 1         |
| 77       | 055118            | 4032689005034 | Shoulder screw  | 2     | 2         |
| 78       | 006260            | 4032689053769 | Grooved ball bearing Grooved ball bearing               | 1     | 18        |
| 79       | 006268            | 4032689053455 | Grooved ball bearing Grooved ball bearing               | 1     | 18        |
| 80       | 006280            | 4032689053417 | Grooved ball bearing                                    | 1     | 17        |
| 81       | 006282            | 4032689053615 | Grooved ball bearing                                    | 1     | 16        |
| 82       | 062073            | 4032689053905 | Grooved ball bearing                                    | 1     | 15        |
| 83       | 066043            | 4032689021393 | Pressure spring   | 3     | 2         |
| 84       | 006172            | 4032689050669 | Clip connector Clip connector                           | 1     | 1         |
| 85       | 066112            | 4032689118130 | Retracting spring Retracting spring                     | 1     | 5         |
| 86       | 055155            | 4032689051147 | Locking screw with washer Locking screw with washer     | 1     | 1         |
| 87       | 006591            | 4032689066646 | Sealing ring  | 1     | 1         |
| 88       | 007141            | 4032689089003 | Retaining ring  | 1     | 2         |
| 89       | 061078            | 4032689093727 | Locking washer Locking washer                           | 1     | 2         |
| 90       | 065004            | 4032689066530 | Sealing ring  | 1     | 1         |
| 91       | 061013            | 4032689079073 | Washer  | 1     | 1         |
| 92       | 061015            | 4032689078939 | Washer  | 1     | 1         |
| 93       | 055091            | 4032689058351 | Cylindrical oval-head screw Cylindrical oval-head screw | 1     | 1         |
| 95       | 202299            | 4032689059938 | Sheet metal air deflector Sheet metal air deflector     | 1     | 8         |
| 97       | 005697            | 4032689114804 | Hexagon-head screw                                      | 2     | 1         |