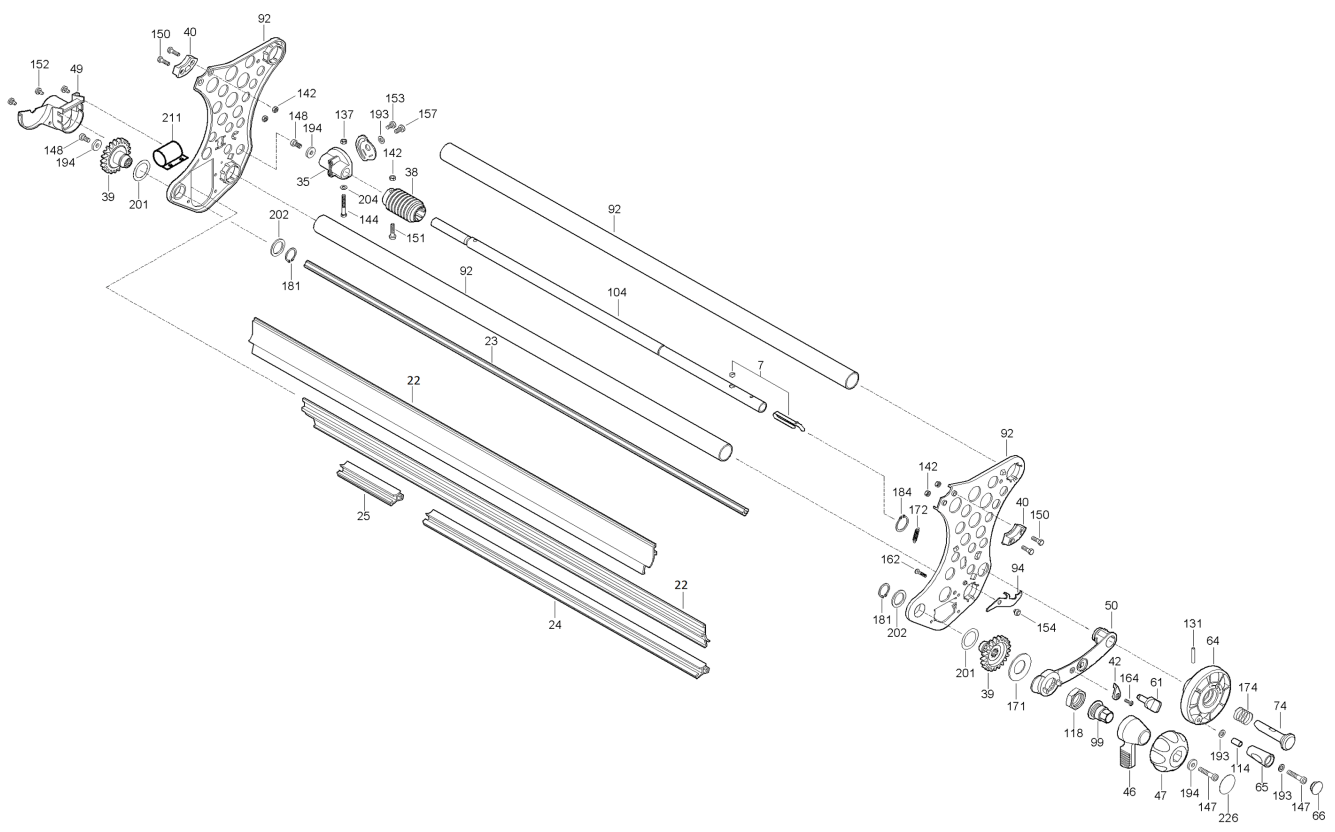
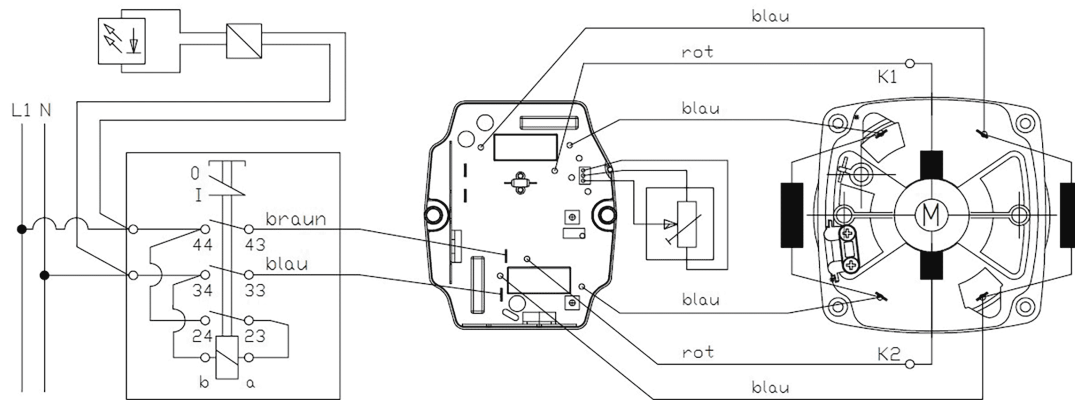


971901-4b



971901-5a



971901-6a

pos. no.	spare part number	GTIN	name of spare part	count	price key
1	084681	4032689211725	Motor casing with inductor	1	40
1.1	084685	4032689211718	Inductor with coil 230 V ~	1	36
1.2	203810	4032689146522	Motor casing, empty	1	26
2	088193	4032689160245	Armature balanced 230 V	1	41
3	207067	4032689208640	Protective cover upper	1	35
3.1	207840	4032689211657	Protective cover left	1	12
3.10	207986	4032689218243	glider	2	3
3.11	066096	4032689021652	Pressure spring	1	4
3.12	076959	4032689031484	Wing nut Wing nut	1	5
3.13	061063	4032689078779	Washer	1	1
3.14	055205	4032689058290	Cylindrical oval-head screw	4	1
3.15	007114	4032689079196	Washer	2	1
3.19	061114	4032689067476	Shim ring	2	2
3.2	207841	4032689211664	Protective cover right	1	12
3.3	207750	4032689222714	side cover	2	21

pos. no.	spare part number	GTIN	name of spare part	count	price key
3.4	207066	4032689208633	Guide piece	1	8
3.5	207105	4032689198217	Light module grouted	1	20
3.6	207836	4032689211695	spring contact socket upper	1	3
3.7	207843	4032689211688	Connection cable light module	1	5
3.8	085198	4032689212975	splitter contact upper	1	16
3.9	055233	4032689058320	Cylindrical oval-head screw K40x12 KT 20	5	1
4	077719	4032689218793	Control module	1	41
5	038975	4032689098470	Tachometer carrier	1	14
6	207748	4032689222691	table ERIKA 85	1	54
6.2	207088	4032689208671	Front ledge	2	19
6.3	202653	4032689126265	Edge protection, right	2	5
6.4	202652	4032689126258	Edge protection, left Edge protection, left	2	5
6.5	055157	4032689058054	Self-tapping oval-head screw	8	1
7	039803	4032689070087	Click-in bracket Click-in bracket	1	17
8	202655	4032689125855	Tubular frame, front Tubular frame, front	1	38
8.1	203572	4032689145433	Supporting leg	1	10
8.1.4	066137	4032689127002	Retracting spring Retracting spring	2	8
8.10	204662	4032689166155	Guide piece	1	8
8.11	058005	4032689120713	cylindrical pin 8 m6 x 32 DIN 6325	1	3
8.13	005573	4032689120188	Cylinder-head screw	1	1
8.2	204542	4032689159973	Leg adjustable	1	14
8.3	204540	4032689159959	Pedal	1	13
8.4	204663	4032689166162	Arbor	1	10
8.5	006100	4032689078946	Washer	1	1
8.6	055114	4032689058559	Oval-head screw	1	1
8.7	006621	4032689162140	Pressure spring 1.1 x 11.5 x 56	1	3
8.8	006622	4032689162157	Pressure spring 1.8 x 14.2 x 52	1	3
8.9	204665	4032689166179	Plunger	1	14
9	202656	4032689125862	Tubular frame, rear Tubular frame, rear	1	35
9.4	066138	4032689127019	Retracting spring Retracting spring	2	7
10	207569	4032689211602	Sheet metal fixing plate	1	8

pos. no.	spare part number	GTIN	name of spare part	count	price key
11	202687	4032689126500	Skale	2	8
12	207326	4032689207124	Front plate	1	47
13	207035	4032689207117	Rear plate	1	47
14	208199	4032689218915	Gear casing	1	48
15	207051	4032689210810	Fixing plate	1	14
16	207080	4032689209265	Fixing plate	1	9
17	201899	4032689088167	Flat-head screw	3	1
18	202612	4032689125978	Height adjustment casing Height adjustment casing	1	28
19	202609	4032689125954	Bearing cover Bearing cover	1	28
20	202614	4032689125985	Belt disk	1	22
21	202616	4032689125992	Belt disk	1	22
22	203262	4032689134864	Gutter	2	19
23	203251	4032689134345	Tilting rod Tilting rod	1	12
24	203265	4032689134895	Sliding cover	1	5
25	203264	4032689134888	Sliding cover	1	3
26	207023	4032689208794	Protective cover rear	1	20
27	207028	4032689209197	chip guard holder	1	5
28	207029	4032689209203	chip guard swivel part	1	5
30	207069	4032689210872	Protective cover lower	1	28
30.1	207024	4032689208800	protective hood cover	1	12
30.2	207025	4032689209340	protective hood cover retractable	1	19
30.3	207022	4032689209173	Guard plate	1	12
30.4	207973	4032689213040	Latch	1	4
30.5	207562	4032689210889	Bolt	1	3
30.6	066194	4032689209074	Leg spring	1	3
30.7	061069	4032689093697	Locking washer	2	1
30.8	061135	4032689088761	Locking washer	1	1
30.9	061025	4032689088662	Locking washer	1	1
31	207026	4032689209012	Sliding cover	2	6
35	202625	4032689126074	Nut Nut	1	10
36	202634	4032689126135	Gear casing cover	1	10

pos. no.	spare part number	GTIN	name of spare part	count	price key
37	202637	4032689126142	Toothed segment Toothed segment	2	6
38	202639	4032689126166	Worm gear Worm gear	1	11
39	202647	4032689126227	Gear wheel	2	7
40	202648	4032689126234	Sliding bar	2	4
41	202654	4032689125633	Rubber foot Rubber foot	4	3
42	202658	4032689126272	Indicator	1	3
43	204280	4032689161457	Covering frame	1	10
44	202666	4032689126333	Skimmer Skimmer	8	4
45	202667	4032689126340	Air conducting ring	1	10
46	202671	4032689126388	Clamping lever	1	8
47	202672	4032689126395	Handle	1	7
48	202675	4032689126425	Knob Knob	1	8
49	202678	4032689126449	Hose connector Hose connector	1	11
50	202679	4032689126456	Panel Panel	1	10
51	207064	4032689208886	Casing cover	1	15
52	207063	4032689209258	Intermediate case	1	16
53	207060	4032689209241	filter housing	1	12
54	207059	4032689209234	coarse filter	1	14
55	205830	4032689185200	Cable clamp	1	4
56	203141	4032689140025	Cable clamp	1	3
57	055246	4032689142173	Cylindrical oval-head screw	4	2
58	005961	4032689113470	Square nut Square nut	1	1
59	055069	4032689058528	Oval-head screw	1	1
60	061015	4032689078939	Washer	1	1
61	202691	4032689126524	Click-in button Click-in button	1	5
62	207102	4032689209289	Bolt	1	3
63	207586	4032689210537	Cover	2	3
64	202699	4032689126593	Handwheel Handwheel	1	12
65	202674	4032689126418	Conical handle Conical handle	1	5
66	202676	4032689126432	Cap Cap	1	3
67	204278	4032689153179	Setting wheel	1	6

pos. no.	spare part number	GTIN	name of spare part	count	price key
68	202695	4032689126555	Fan	1	10
69	201872	4032689102412	Pad	2	2
70	201044	4032689034027	Guide bush	1	3
71	201047	4032689022185	Pressure disk	1	3
72	039853	4032689012001	Fastening piece	1	5
73	203018	4032689128139	Pressure bit	1	3
74	039780	4032689022536	Push-button Push-button	1	7
75	202620	4032689126029	Flange, front Flange, front	1	17
76	207988	4032689213255	riving knife holder	1	37
76.1	207579	4032689210957	Riving knife/splitter support cpl.	1	25
76.10	066078	4032689021454	Pressure spring	1	3
76.11	007160	4032689089058	Retaining ring 5 x 0,6	1	1
76.12	055037	4032689120034	Cylinder-head screw	2	1
76.13	006102	4032689079233	Washer	1	1
76.14	005816	4032689093031	Spring dowel sleeve	1	1
76.15	006101	4032689079219	Washer	2	1
76.16	055014	4032689120393	Cylinder-head screw	1	2
76.17	076492	4032689047836	Cable binder Cable binder	1	2
76.2	207572	4032689208930	intermediate part	1	22
76.3	207832	4032689211039	spring contact socket lower	1	3
76.4	085199	4032689212982	splitter contact lower	1	16
76.5	207008	4032689209029	Clamping metal sheet	1	11
76.6	207011	4032689209098	Bolt	1	9
76.7	207573	4032689209302	Clamping nut	1	4
76.8	052009	4032689125671	Pressure bit, spring-loaded Pressure bit, spring-loaded	2	5
76.9	061219	4032689209050	Arbor clamping cap	1	1
86	207558	4032689210896	Connecting cable riving knife/splitter	1	5
89	207330	4032689208961	Riving knife/splitter cpl.	1	35
89.2	207104	4032689208954	conductor path	1	12
90	202624	4032689126067	Strut	1	3
92	203271	4032689134956	Cradle Cradle	1	40

pos. no.	spare part number	GTIN	name of spare part	count	price key
94	202659	4032689126289	Click-in metal sheet Click-in metal sheet	1	5
95	202661	4032689126296	Metal sheet stop Metal sheet stop	1	5
96	202686	4032689127507	Clip Clip	2	9
97	203255	4032689135021	Pusher rod	1	10
99	202605	4032689125947	Clamping sleeve Clamping sleeve	1	14
100	203268	4032689134925	Locking bolt	1	11
101	202618	4032689126005	Saw shaft Saw shaft	1	19
102	202619	4032689126012	Flange, rear Flange, rear	1	16
104	207072	4032689208992	Pull rod	1	24
105	202668	4032689126357	Setting arbor	2	11
106	207030	4032689209357	Setting arbor	1	11
110	202669	4032689126364	Bearing bolt Bearing bolt	1	10
111	202670	4032689126371	Eccentric bolt Eccentric bolt	1	10
113	203275	4032689135014	Tube	1	6
114	039800	4032689019161	Spacer bushing	1	5
115	039859	4032689039763	Threaded pin	1	7
116	203280	4032689145709	Fixture	1	6
117	058196	4032689126999	Tubular rivet Tubular rivet	4	2
118	202640	4032689126173	Nut Nut	1	9
120	203019	4032689128078	Gasket	1	3
121	203797	4032689146256	Sliding bar	4	5
122	204608	4032689161488	Covering plate	1	5
123	006231	4032689053493	Grooved ball bearing	1	18
124	006269	4032689053721	Grooved ball bearing	1	17
125	006280	4032689053417	Grooved ball bearing	1	17
126	062082	4032689053400	Grooved ball bearing Grooved ball bearing	8	15
127	062120	4032689201269	Grooved ball bearing 629 X 50LLB/L683	1	16
128	062121	4032689201276	Grooved ball bearing 607 LLB/1K	1	16
129	006260	4032689053769	Grooved ball bearing Grooved ball bearing	1	18
130	055146	4032689119366	Cylinder-head screw	2	1
131	058116	4032689092973	Spring dowel sleeve	1	1

pos. no.	spare part number	GTIN	name of spare part	count	price key
132	005284	4032689039947	Threaded pin self-locking	3	2
134	058198	4032689129969	cylindrical pin 10 x 26 - St	3	3
136	005979	4032689115238	Locking nut Locking nut	4	1
137	005915	4032689113814	Hexagonal nut	1	1
138	005966	4032689113920	Hexagonal nut	2	2
139	059008	4032689114224	Hexagonal nut	1	2
141	005982	4032689115245	Locking nut Locking nut	4	1
142	005999	4032689115290	Locking nut Locking nut	5	1
143	005750	4032689029306	Truss-head screw	2	2
144	005680	4032689114699	Hexagon-head screw	1	2
145	055172	4032689120355	Cylinder-head screw	4	2
146	055241	4032689125916	Cylinder-head screw	1	3
147	055013	4032689120201	Cylinder-head screw	2	2
148	055059	4032689120010	Cylinder-head screw	2	1
149	005578	4032689119854	Cylinder-head screw	3	1
150	005671	4032689114644	Hexagon-head screw	4	1
151	055138	4032689119861	Cylinder-head screw	1	1
152	055187	4032689058238	Cylindrical oval-head screw	7	1
153	055079	4032689058337	Cylindrical oval-head screw Cylindrical oval-head screw	5	1
154	055162	4032689058412	Cylindrical oval-head screw Cylindrical oval-head screw	2	1
155	055201	4032689119687	Cylinder-head screw	1	1
156	055230	4032689082226	Self-tapping screw	7	1
157	055174	4032689119373	Cylinder-head screw	1	2
158	055223	4032689087856	Flat-head screw	1	2
159	055157	4032689058054	Self-tapping oval-head screw	12	1
160	055282	4032689212968	Screw EJOT PT K40 x 55/30	2	1
161	055139	4032689058252	Cylindrical oval-head screw	7	1
162	055061	4032689058313	Cylindrical oval-head screw K40x18 Kombi-TORX	3	1
163	005715	4032689029276	Truss-head screw M 6 x 45 - 4.6	2	1
164	055233	4032689058320	Cylindrical oval-head screw K40x12 KT 20	11	1
165	053020	4032689058146	Counter-sunk oval-head screw	4	1

pos. no.	spare part number	GTIN	name of spare part	count	price key
167	065043	4032689125732	Sealing ring	1	3
168	065015	4032689066639	Sealing ring	2	1
170	055232	4032689082233	Self-tapping screw	2	1
171	006662	4032689127729	Cup spring	1	4
172	066136	4032689124490	Retracting spring Retracting spring	1	3
174	066084	4032689021461	Pressure spring	1	3
175	066092	4032689118260	Retracting spring Retracting spring	1	4
176	066204	4032689213446	Retracting spring	1	9
177	066043	4032689021393	Pressure spring	1	2
178	061170	4032689125688	Shim ring	1	5
179	061067	4032689067414	Shim ring	2	1
180	061050	4032689067544	Shim ring	1	1
181	071001	4032689089256	Retaining ring	2	1
182	061171	4032689125695	Retaining ring	1	4
183	061068	4032689089126	Retaining ring	1	3
184	061123	4032689089164	Retaining ring	1	2
185	006194	4032689088938	Retaining ring	1	1
186	007102	4032689088976	Retaining ring	1	1
187	007141	4032689089003	Retaining ring	1	2
188	007161	4032689089294	Retaining ring	1	1
189	061106	4032689088686	Locking washer	1	1
190	061135	4032689088761	Locking washer	2	1
191	006114	4032689088716	Locking washer	1	1
193	006101	4032689079219	Washer	3	1
194	061172	4032689125701	Washer	3	1
195	006184	4032689088679	Locking washer	1	1
196	061044	4032689079080	Washer	6	1
197	061013	4032689079073	Washer	3	1
198	061069	4032689093697	Locking washer	3	1
200	061059	4032689002125	Arbor clamping cap Arbor clamping cap	4	1
201	061173	4032689125718	Compensating disk Compensating disk	2	2

pos. no.	spare part number	GTIN	name of spare part	count	price key
202	061174	4032689125725	Supporting disk Supporting disk	2	2
203	087932	4032689211589	Switch cpl. 230 V	1	29
204	006100	4032689078946	Washer	2	1
205	063157	4032689017013	Brush holder 6,4 x 16	2	12
206	063180	4032689160030	Carbon brush with automatic cut-off 230 V	2	13
208	077009	4032689127552	Hexagonal protective cap	4	1
209	061176	4032689130019	Shim ring	1	1
211	202606	4032689126128	Rolled spring Rolled spring	1	10
212	207747	4032689208626	Bevel wheel cpl.	1	35
213	202631	4032689125589	Pinion	1	20
214	207079	4032689207094	Angle scale	1	8
215	077008	4032689127545	Wheel Wheel	2	7
216	077011	4032689127736	Arbor Arbor	2	3
217	077002	4032689125503	Toothed belt	1	15
218	092465	4032689134260	TCT saw blade 250 x 1.8/2.8 x 30 mm (9 13/16 in.), AT, 40 teeth, for universal use	1	99
219	201045	4032689028989	felt disc	1	1
221	076322	4032689025919	Elastic buffer Elastic buffer	1	2
226	202673	4032689126401	Angle Angle	1	4
229	207972	4032689212555	Sleeve	1	2
230	203278	4032689134963	Speed diagram	1	7
232	208442	4032689219691	cable clip	1	1
233	204281	4032689161037	Speed regulator	1	14
234	204611	4032689161464	Protective tube	1	12
235	207837	4032689211633	Intermediate piece	1	3
236	207968	4032689213033	Clamping strip	1	2
237	055281	4032689212951	Cylindrical oval-head screw K25 X 14 TORX	1	1
239	207978	4032689213071	support angle	2	2
240	055046	4032689119908	Cylinder-head screw	1	1
241	207971	4032689212548	Washer	1	1
242	055111	4032689058382	Cylindrical oval-head screw	1	1
243	061080	4032689067483	Shim ring	2	1

pos. no.	spare part number	GTIN	name of spare part	count	price key
244	207974	4032689213057	Cover	1	12
247	207107	4032689201191	power supply light module	1	27
248	066072	4032689021768	Pressure spring	1	3
249	207979	4032689213200	Support	1	3
250	055202	4032689119809	Cylinder-head screw	1	1
502	034901	4032689080192	Push stick Push stick	1	11
504	093081	4032689115160	Allen key SW 6	1	2
510	093670	4032689134369	Extraction set with 2 connectors	1	20
511	202698	4032689126586	Branch pipe Branch pipe	1	14
524	038294	4032689051383	Clamping device	1	99