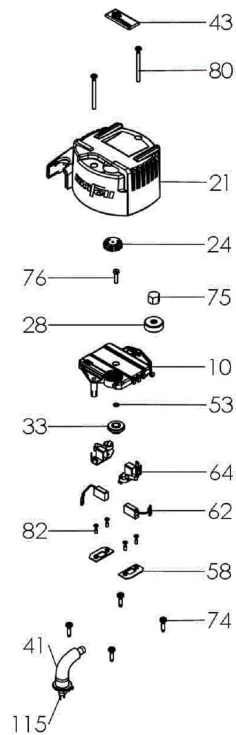
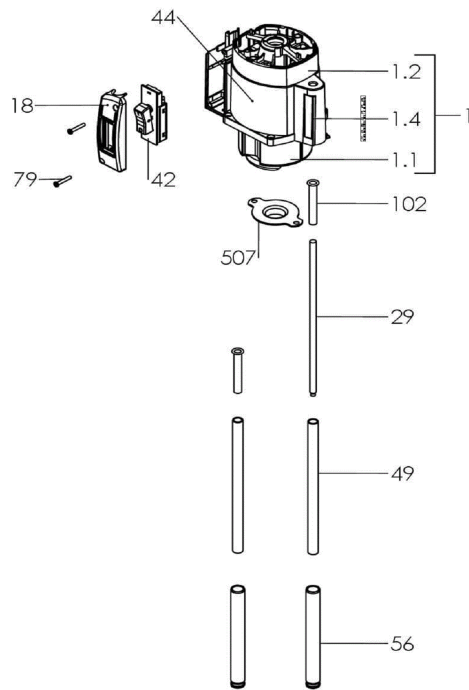


Ref. No. 91C701

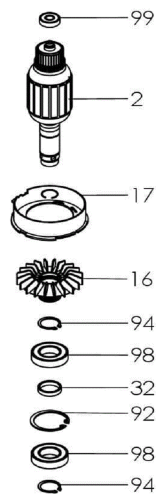
Hand Router LO 65 Ec MaxiMAX in T-MAX



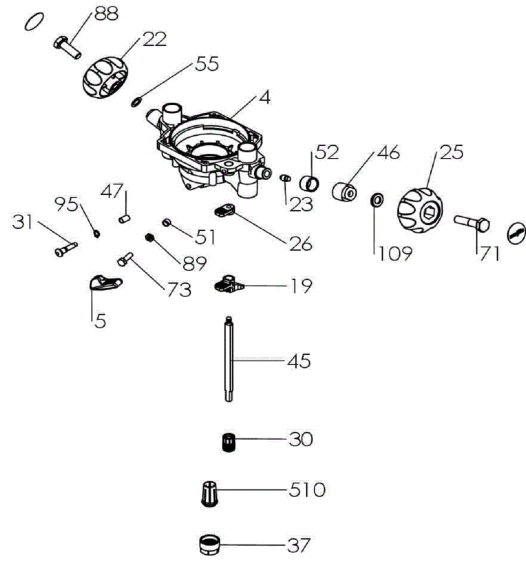
91C701-1b



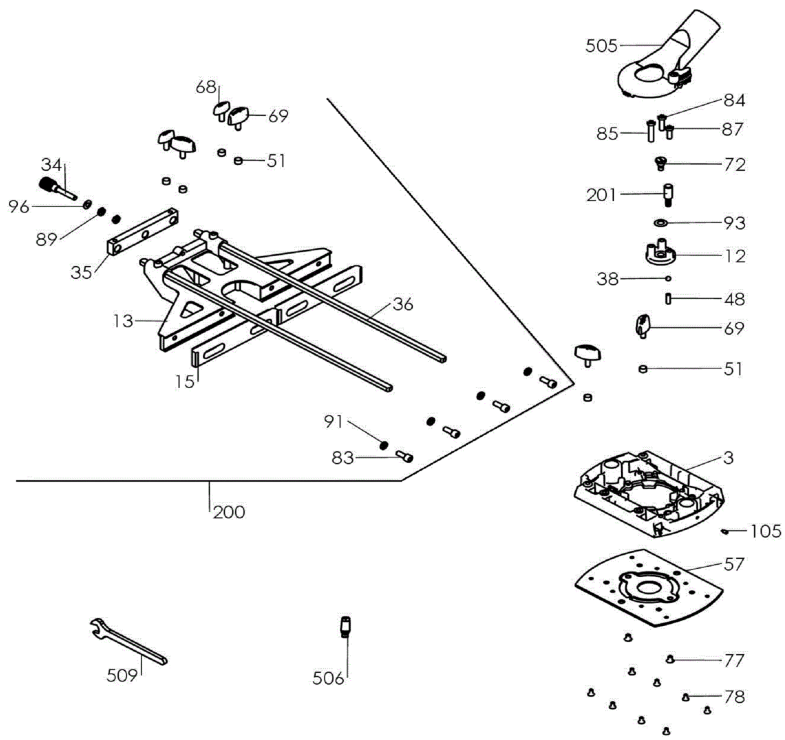
91C701-2a



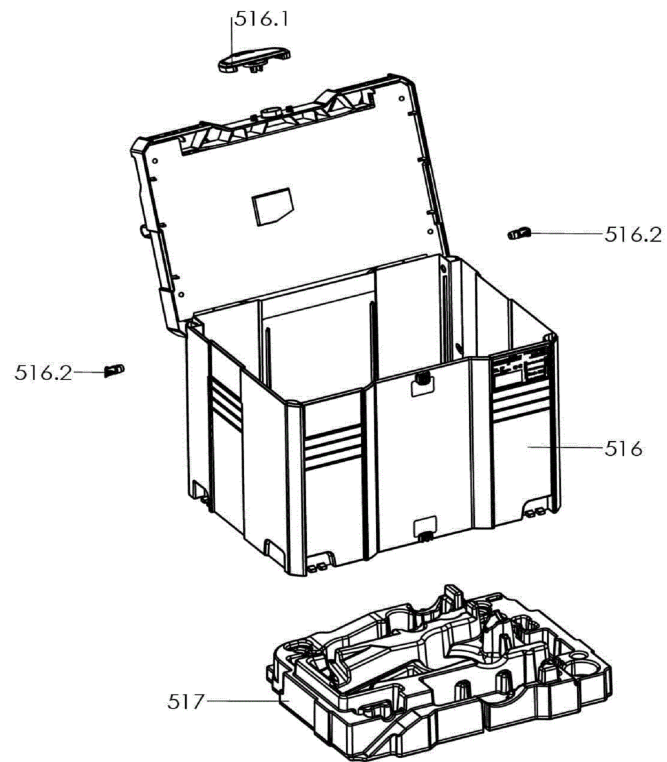
91C701-3a



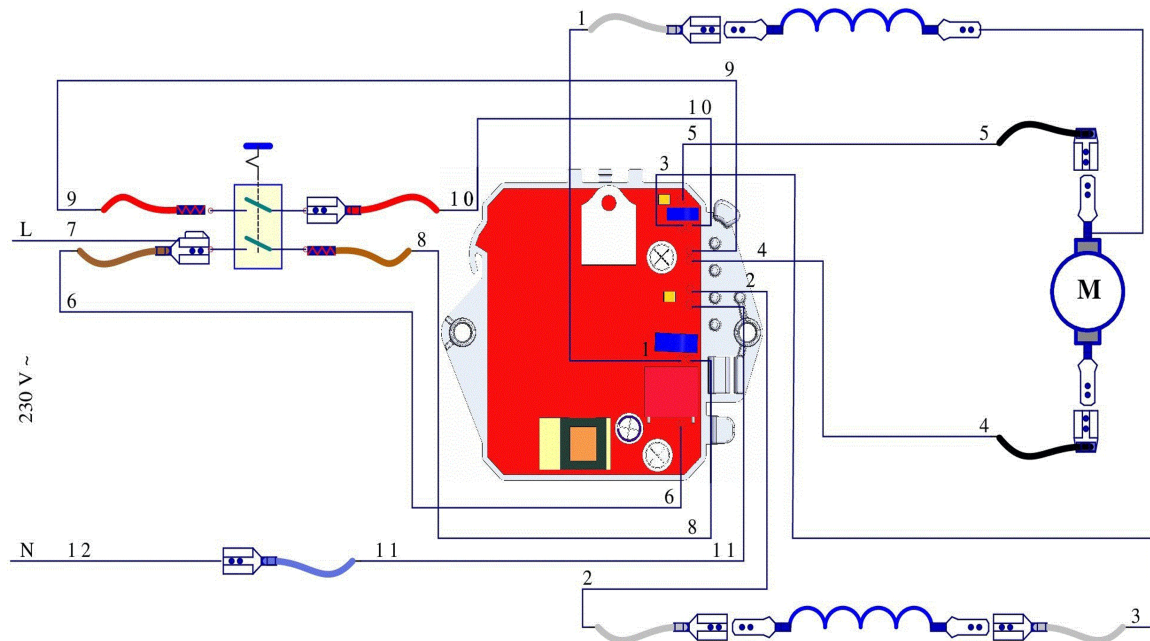
91C701-4a



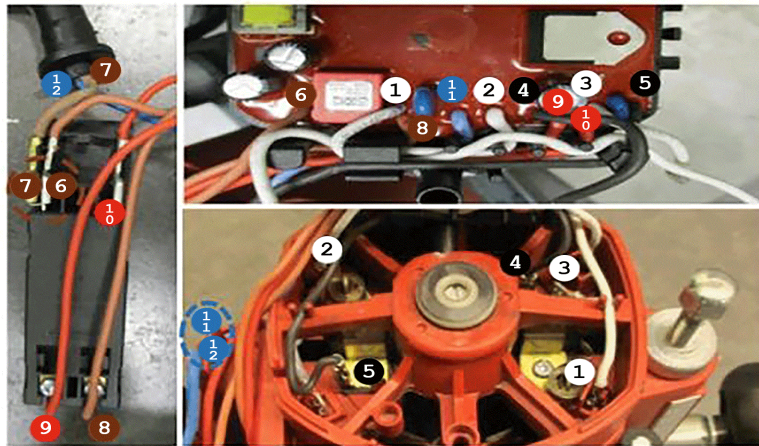
91C701-5a



91C701-6a



91C701-7a



91C701-8a

| pos. no. | spare part number | GTIN | name of spare part | count | price key |
|----------|-------------------|---------------|---|-------|-----------|
| 1 | 084704 | 4032689237480 | Motor casing with Inducator 230V 50Hz | 1 | 40 |
| 1.1 | 084623 | 4032689161679 | Inductor 230 V | 1 | 36 |
| 1.2 | 209799 | 4032689236575 | Motor casing, empty | 1 | 26 |
| 1.4 | 077602 | 4032689099194 | Depth scale Depth scale | 1 | 3 |
| 2 | 088185 | 4032689162898 | Armature balanced | 1 | 42 |
| 3 | 204320 | 4032689164137 | Base plate | 1 | 35 |
| 4 | 204319 | 4032689164120 | Fan housing | 1 | 38 |
| 5 | 203397 | 4032689138114 | Tensioning lever | 1 | 5 |
| 10 | 211816 | 4032689250885 | Spare parts group control module cpl. | 1 | 39 |
| 12 | 038967 | 4032689072869 | Revolving depth control turret Revolving depth control turret | 1 | 12 |
| 13 | 038980 | 4032689066974 | Parallel guide fence with micro adjustment | 1 | 26 |
| 15 | 038978 | 4032689040813 | Sliding bar Sliding bar | 2 | 14 |
| 16 | 201606 | 4032689059495 | Fan | 1 | 14 |
| 17 | 038968 | 4032689059778 | Air conducting ring | 1 | 13 |
| 18 | 209797 | 4032689237459 | Switch cover | 1 | 10 |

| pos. no. | spare part number | GTIN | name of spare part | count | price key |
|----------|-------------------|---------------|---------------------------------------|-------|-----------|
| 19 | 038951 | 4032689117126 | Indicator | 1 | 7 |
| 21 | 209795 | 4032689235912 | Motor cover | 1 | 16 |
| 22 | 038970 | 4032689044668 | Handle | 1 | 7 |
| 23 | 038952 | 4032689021263 | Pressure bolt Pressure bolt | 1 | 3 |
| 24 | 209883 | 4032689237442 | Setting wheel | 1 | 8 |
| 25 | 039101 | 4032689044460 | Handle with printing | 1 | 9 |
| 26 | 038962 | 4032689041353 | Handle tab Handle tab | 1 | 7 |
| 28 | 038953 | 4032689069616 | Knurled nut Knurled nut | 1 | 16 |
| 29 | 200730 | 4032689046921 | Stroke limiter Stroke limiter | 1 | 12 |
| 30 | 205628 | 4032689176598 | Setting nut | 1 | 13 |
| 31 | 204304 | 4032689164038 | Index bolt | 1 | 11 |
| 32 | 201603 | 4032689019253 | Spacer bushing | 1 | 7 |
| 33 | 038975 | 4032689098470 | Tachometer carrier | 1 | 14 |
| 34 | 038977 | 4032689069807 | Knurled-head screw Knurled-head screw | 1 | 16 |
| 35 | 038976 | 4032689100630 | Traverse Traverse | 1 | 21 |
| 36 | 039115 | 4032689036380 | Guide bar | 2 | 12 |
| 37 | 201574 | 4032689116013 | Collet nut | 1 | 19 |
| 38 | 062042 | 4032689094786 | Steel ball Steel ball | 1 | 1 |
| 41 | 211400 | 4032689247854 | Mains cable | 1 | 22 |
| 42 | 087960 | 4032689237657 | Off-Switch 2-pole 16 (16) 250V | 1 | 25 |
| 43 | 070644 | 4032689161112 | Sticker Cuprex compact 45 x 20 | 1 | 2 |
| 44 | 077162 | 4032689163499 | Speed diagram | 1 | 5 |
| 45 | 205626 | 4032689176581 | Depth stop | 1 | 14 |
| 46 | 204324 | 4032689164168 | Collet nut M 10 x 1 | 1 | 13 |
| 47 | 066043 | 4032689021393 | Pressure spring | 1 | 2 |
| 48 | 066051 | 4032689021409 | Pressure spring | 1 | 2 |
| 49 | 066063 | 4032689021683 | Pressure spring | 2 | 3 |
| 51 | 066148 | 4032689164182 | Pressure spring 1,0 x 8,0 x 13 | 7 | 1 |
| 52 | 066089 | 4032689021799 | Pressure spring | 1 | 3 |
| 53 | 006184 | 4032689088679 | Locking washer | 1 | 1 |
| 55 | 006183 | 4032689088648 | Locking washer | 1 | 1 |

| pos. no. | spare part number | GTIN | name of spare part | count | price key |
|----------|-------------------|---------------|--|-------|-----------|
| 56 | 038972 | 4032689035017 | Guide column Guide column | 2 | 18 |
| 57 | 204301 | 4032689164267 | Sliding surface | 1 | 17 |
| 58 | 201872 | 4032689102412 | Pad | 2 | 2 |
| 62 | 063184 | 4032689166742 | Carbon brush with automatic cut-off | 2 | 12 |
| 64 | 063182 | 4032689166445 | Brush holder | 2 | 9 |
| 68 | 079077 | 4032689147826 | Wing screw M6 x 16, black | 2 | 5 |
| 69 | 079080 | 4032689151069 | Wing screw M6x16 black | 4 | 6 |
| 71 | 005699 | 4032689163451 | Hexagon-head screw M 10 x 1 x 45 - 8.8 | 1 | 4 |
| 72 | 055169 | 4032689005089 | Shoulder screw | 1 | 4 |
| 73 | 005618 | 4032689114828 | Hexagon-head screw | 1 | 1 |
| 74 | 055230 | 4032689082226 | Self-tapping screw | 4 | 1 |
| 75 | 005950 | 4032689047331 | Cap nut Cap nut | 1 | 2 |
| 76 | 055108 | 4032689119267 | Cylinder-head screw | 1 | 1 |
| 77 | 053006 | 4032689088259 | Flat-head screw | 2 | 1 |
| 78 | 053031 | 4032689150956 | Flat-head screw M 4 x 8 - 8.8 Torx 20 | 8 | 1 |
| 79 | 055139 | 4032689058252 | Cylindrical oval-head screw | 2 | 1 |
| 80 | 055243 | 4032689132990 | Cylindrical oval-head screw | 2 | 2 |
| 82 | 053020 | 4032689058146 | Counter-sunk oval-head screw | 4 | 1 |
| 83 | 055037 | 4032689120034 | Cylinder-head screw | 4 | 1 |
| 84 | 055260 | 4032689163994 | Cylinder-head screw M 6 x 20 | 1 | 2 |
| 85 | 055261 | 4032689164007 | Cylinder-head screw M 6 x 30 | 1 | 2 |
| 87 | 055259 | 4032689163970 | Cylinder-head screw M 6 x 16 | 1 | 2 |
| 88 | 055040 | 4032689119427 | Cylinder-head screw | 1 | 2 |
| 89 | 005911 | 4032689113968 | Hexagonal nut | 3 | 1 |
| 91 | 061119 | 4032689078991 | Washer | 4 | 1 |
| 92 | 006165 | 4032689088860 | Retaining ring | 1 | 3 |
| 93 | 006693 | 4032689169903 | Cup spring 16 x 8.2 x 0.4 | 1 | 2 |
| 94 | 061216 | 4032689180151 | v-ring v-ring | 2 | 4 |
| 95 | 007102 | 4032689088976 | Retaining ring | 1 | 1 |
| 96 | 006663 | 4032689098654 | Cup spring | 1 | 1 |
| 98 | 006258 | 4032689053547 | Grooved ball bearing | 2 | 18 |

| pos. no. | spare part number | GTIN | name of spare part | count | price key |
|----------|-------------------|---------------|---|-------|-----------|
| 99 | 062073 | 4032689053905 | Grooved ball bearing | 1 | 15 |
| 102 | 058150 | 4032689073910 | Tubular rivet Tubular rivet | 2 | 2 |
| 105 | 005283 | 4032689039886 | Threaded pin | 2 | 1 |
| 109 | 006130 | 4032689079158 | Washer | 1 | 1 |
| 115 | 211486 | 4032689248004 | Protective tube Silicone rubber heat class H | 1 | 1 |
| 200 | 204310 | 4032689169125 | Parallel guide fence | 1 | 35 |
| 505 | 204325 | 4032689164175 | Chip collector | 1 | 17 |
| 506 | 201575 | 4032689002583 | Adapter for router bit with internal shaft M 12 x 1 | 1 | 99 |
| 507 | 038971 | 4032689052694 | Template guide Ø 30 mm (1 3/16 in.) | 1 | 99 |
| 509 | 093012 | 4032689025131 | Single-end spanner SW 22 | 1 | 12 |
| 510 | 093256 | 4032689093451 | Collet 8 mm | 1 | 99 |
| 516 | 095181 | 4032689195353 | T-MAX Carrying case size IV | 1 | 30 |
| 516.1 | 095183 | 4032689195377 | Latch T-MAX | 1 | 9 |
| 516.2 | 095201 | 4032689196121 | Pivot light grey | 2 | 3 |
| 517 | 208600 | 4032689221564 | Plastic tray | 1 | 19 |